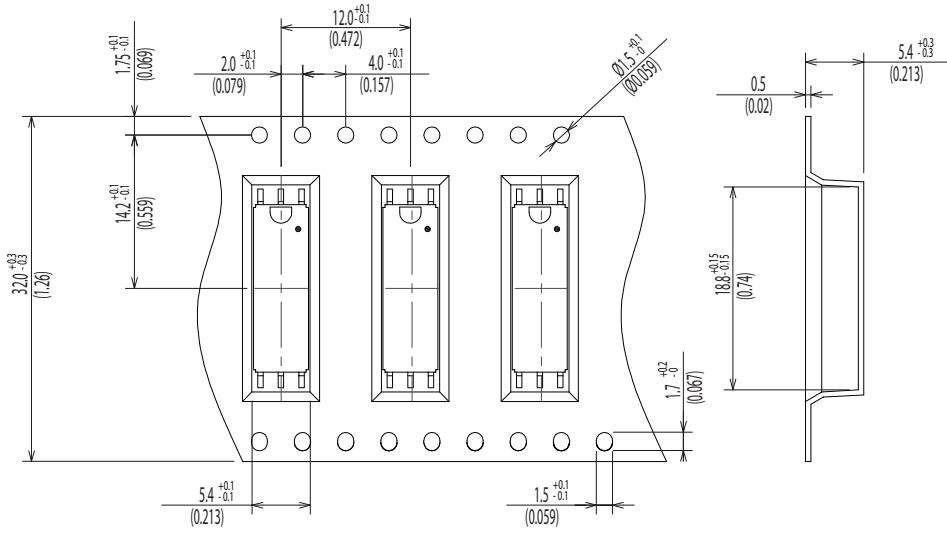
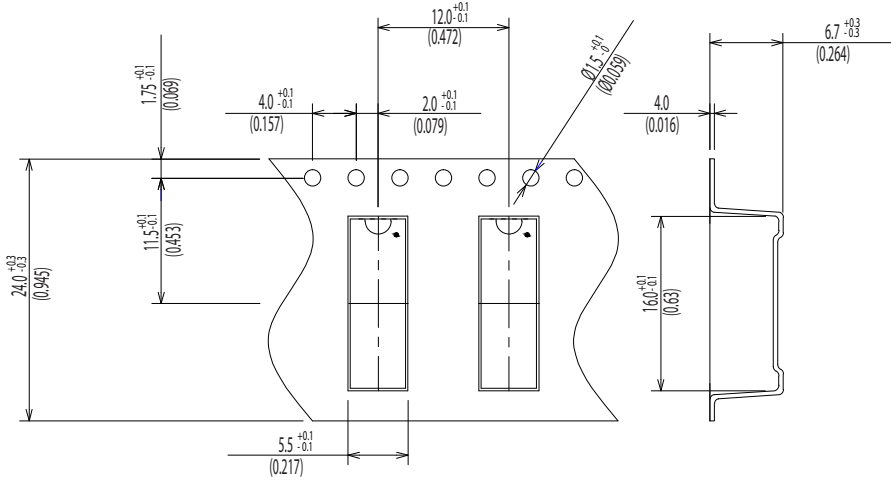


**Dimensions of Tape and Reel All Dimensions are mm (inch)**

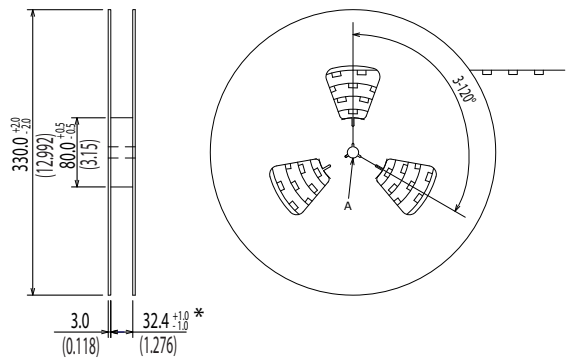


17H-1A□2G-01

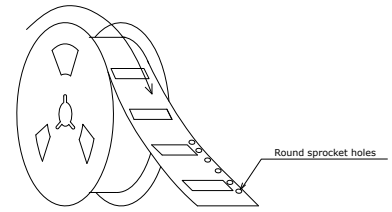
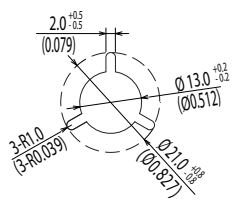


17H-1A□2J-01

Feed Direction →



Details of the part A



Packing Quantity: 500pcs

Packing conforms to EIA standard EIA-481-2 or EIA-481-3

\* J-Lead Type Reel width: 25.4 mm(1.0 inch)