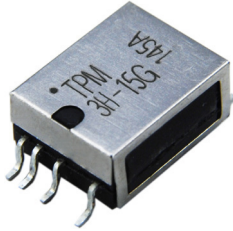


3H Series

Miniature Surface Mount 1 Form C (A+B)

PRODUCT DESCRIPTIONS

The 3H Series features the most reliable 1 Form C (1 Form A + 1 Form B) relays in the Sanyu SMT product line.



These relays provide high-cycle support demanded by the ATE and measurement instrument industries.

- RF Performance up to 3.2GHz
- Impedance 50Ω
- High Reliability 1 Form C 3x10⁸



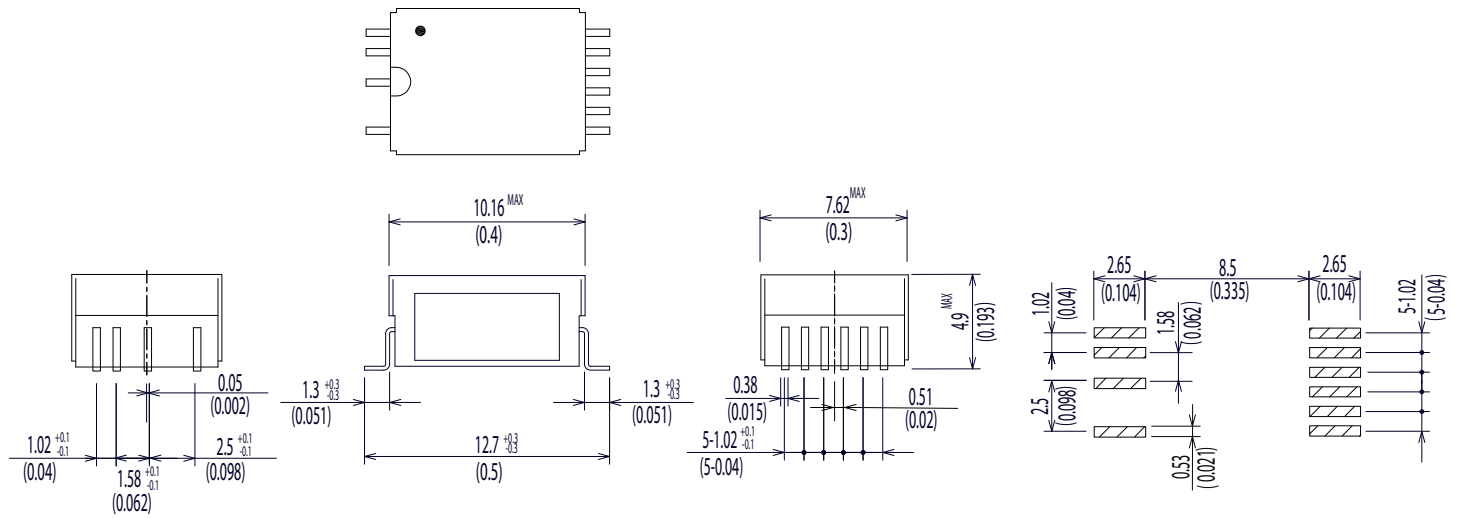
SPECIFICATIONS

3H Series		3H-55G	3H-15G	3H-25G	Test Conditions
		3H-55J	3H-15J	3H-25J	
Parameters	Units	1 Form C (A+B)			
Coil Specifications					
Nominal Coil Voltage	VDC	3.3	5.0	12.0	±10% @ 20°C @ 20°C @ 20°C
Coil Resistance	Ω	70	110	550	
Operate Voltage	VDC Max	2.8	3.75	8.8	
Release Voltage	VDC Min	0.5	0.7	1.2	
Contact Ratings					
Switching Voltage	Volts	100			Max DC/Peak AC resistance
Switching Current	Amps	0.5			Max DC/Peak AC resistance
Carry Current	Amps	1.0			Max DC/Peak AC resistance(@ 30°C)
Contact Rating	Watts	10			Max DC/Peak AC resistance
Life Expectancy	x10 ⁶ Cycle	300			@ 1V 10mA
Contact Resistance	mΩ	150			Max initial @ operate voltage
Contact Resistance Stability	mΩ	5.0			Max initial @ operate voltage
Relay Specifications					
Insulation Resistance	Ω Min	10 ¹²			Between all isolated pins @ 100V 20°C 65%RH
Dielectric Strength (Static)	VDC Min	200			Between contacts
	VDC Min	1500			Contacts to shield
	VDC Min	1500			Contacts/Shield to coil
Operate Time (Including Bounce)	msec Max	0.5			@ nominal coil voltage 100 Hz square wave
Release Time	msec Max	0.5			Diode suppression
Measurement Reference Conditions			Environmental Ratings		
Temp: 15°C to 35°C Humidity: 25% to 75%RH Atmospheric Pressure: 860 to 1060hpa			Storage temp: -40°C to +85°C Operate temp: -20°C to +60°C Vibration: 20G's to 2000Hz Shock: 50G's Processing temp: 260°C max for 60sec. dwell time		

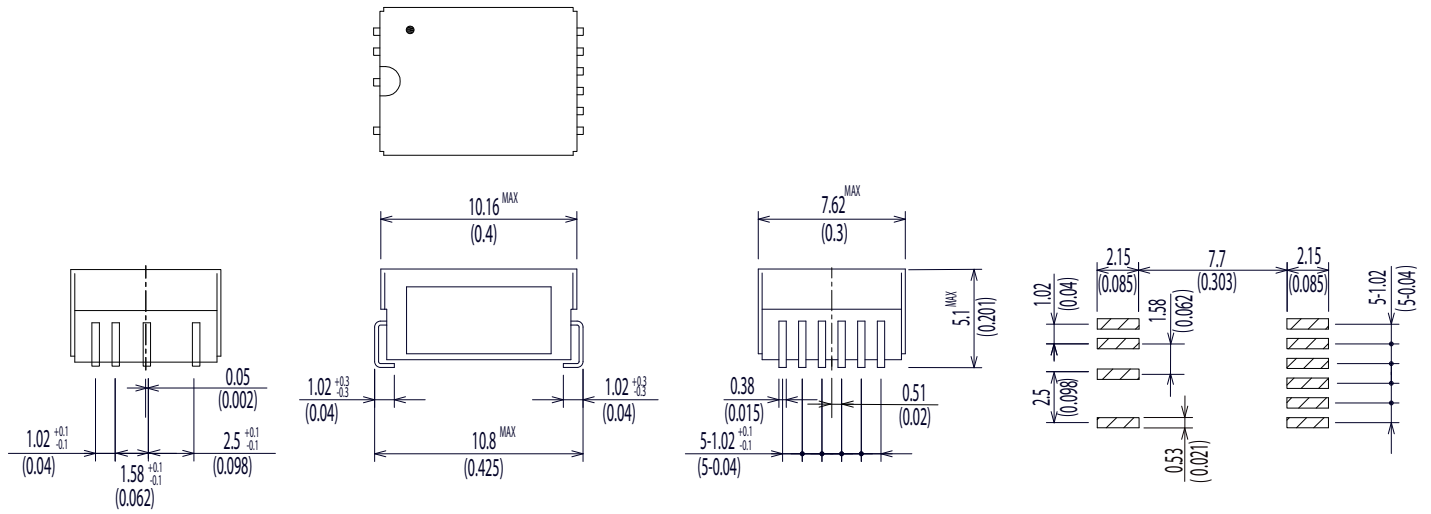
Dimensions All Dimensions are mm (inch)

Land Pattern Recommendation

3H-55G/3H-15G/3H-25G



3H-55J/3H-15J/3H-25J



Schematic <Top View>

