

# 17H Series

# Surface Mount



## PRODUCT DESCRIPTIONS

The 17H Series is one of the Sanyu 30 Watt SMT relays, featuring 50Ω impedance and high dielectric strength in small form factor. This series has been widely accepted by the ATE, telecommunications, and instrument markets.

## SPECIFICATIONS

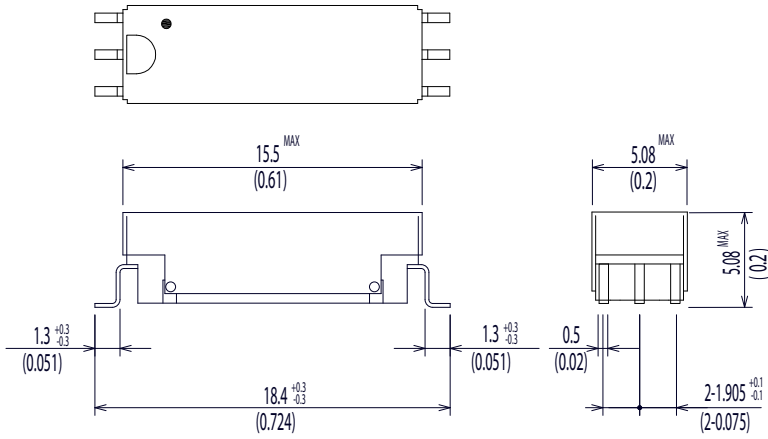


17H Series		17H-1A12G-01	17H-1A22G-01	Test Conditions
		17H-1A12J-01	17H-1A22J-01	
Parameters	Units	1 Form A		
<b>Coil Specifications</b>				
Nominal Coil Voltage	VDC	5.0	12.0	±10% @ 20°C @ 20°C @ 20°C
Coil Resistance	Ω	200	825	
Operate Voltage	VDC Max	3.75	8.8	
Release Voltage	VDC Min	0.7	1.2	
<b>Contact Ratings</b>				
Switching Voltage	Volts	200		Max DC/Peak AC resistance
Switching Current	Amps	0.5		Max DC/Peak AC resistance
Carry Current	Amps	1.3		Max DC/Peak AC resistance (@30°C)
Contact Rating	Watts	30		Max DC/Peak AC resistance
Life Expectancy	x10 <sup>6</sup> Cycle	1500		@ 1V 10mA
Contact Resistance	mΩ	150		Max initial @ operate voltage
Contact Resistance Stability	mΩ	5.0		Max initial @ operate voltage
<b>Relay Specifications</b>				
Insulation Resistance	Ω Min	10 <sup>12</sup>		Between all isolated pins @ 100V 20°C 65%RH
Dielectric Strength (Static)	VDC Min	300		Between contacts
	VDC Min	1500		Contacts to shield
	VDC Min	1500		Contacts/Shield to coil
Operate Time (Including Bounce)	msec Max	0.4		@ nominal coil voltage
Release Time	msec Max	0.2		100 Hz square wave Diode suppression
<b>Measurement Reference Conditions</b>		<b>Environmental Ratings</b>		
Temp: 15°C to 35°C Humidity: 25% to 75%RH Atmospheric Pressure: 860 to 1060hpa		Storage temp: -40°C to +85°C Operate temp: -20°C to +80°C Vibration: 20G's to 2000Hz Shock: 50G's Processing temp: 260°C max for 60sec. dwell time		

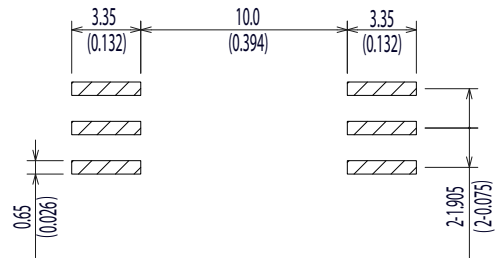
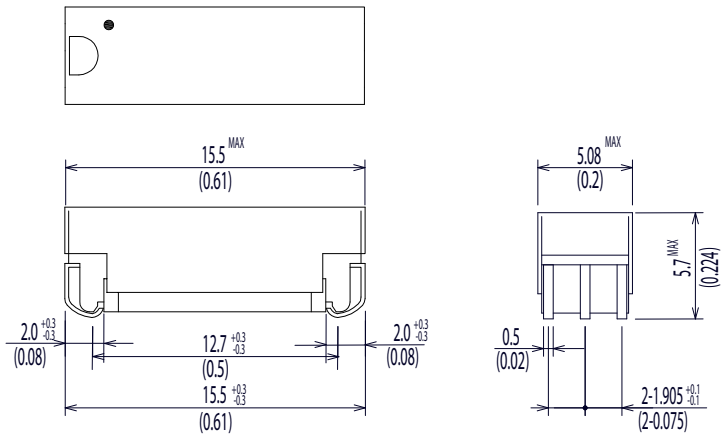
**Dimensions** All Dimensions are mm (inch)

**Land Pattern Recommendation**

**17H-1A12G-01/17H-1A22G-01**



**17H-1A12J-01/17H-1A22J-01**



**Schematic <Top View>**

