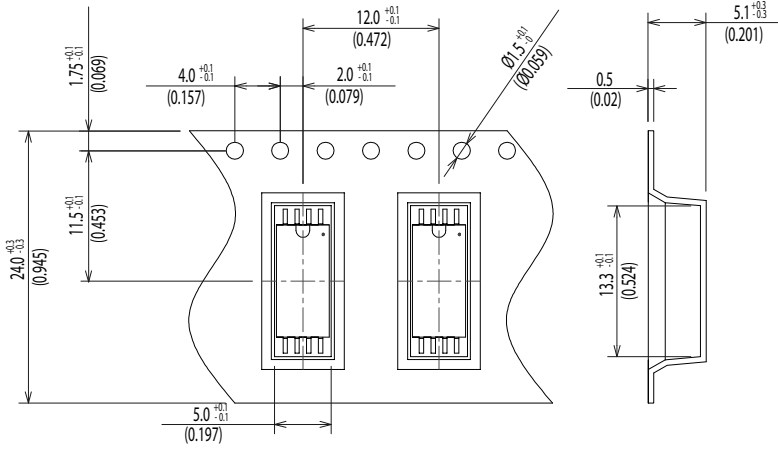
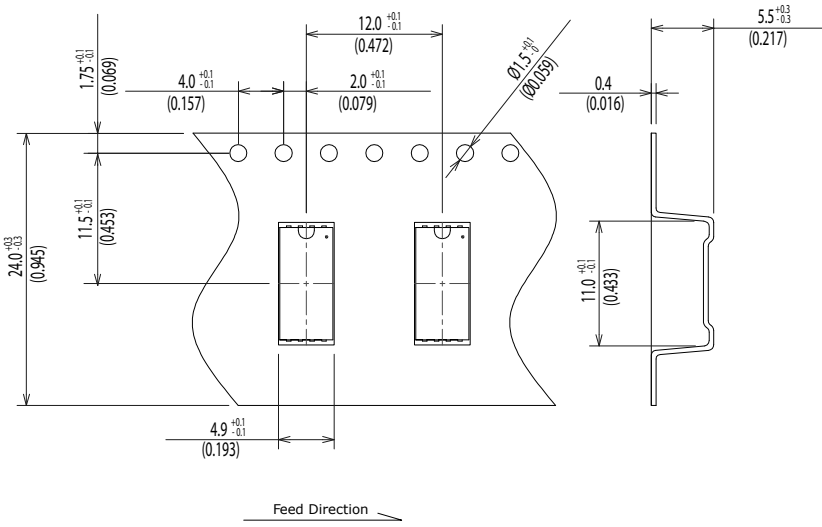


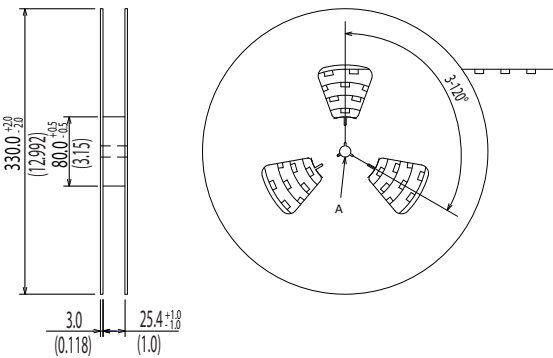
**Dimensions of Tape and Reel All Dimensions are mm (inch)**



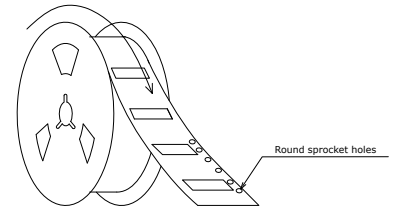
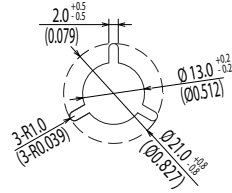
1H-□4G/1H-□4A



1H-□4J



Details of the part A



Packing Quantity: 1,000pcs

Packing conforms to EIA standard EIA-481-2 or EIA-481-3