

100D 1 Form A Series

SIP



PRODUCT DESCRIPTIONS

The 100D 1 Form A series is introduced as standard SIP high breakdown voltage reed relay series, which has 350V switching and 1KV breakdown voltage with an electrostatic shield as standard feature.

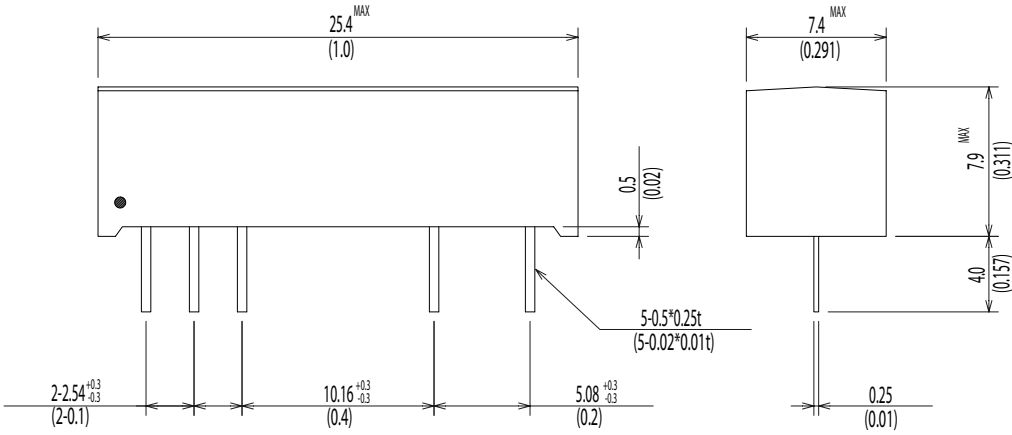
- 50W Contact Rating / 350V Switching Voltage
- 2.8A Carry Current Capability
- 1KV Breakdown Voltage
- 1000 x 10⁶ Cycle

SPECIFICATIONS



| 100D 1 Form A | | 100D-1A11N0 | |
|--|------------------------|--|--|
| Parameters | Units | 1 Form A | Test Conditions |
| Coil Specifications | | | |
| Nominal Coil Voltage | VDC | 5.0 | ±10% @ 20°C @ 20°C @ 20°C |
| Coil Resistance | Ω | 140 | |
| Operate Voltage | VDC Max | 3.75 | |
| Release Voltage | VDC Min | 0.7 | |
| Contact Ratings | | | |
| Switching Voltage | Volts | 350 | Max DC/Peak AC resistance |
| Switching Current | Amps | 0.5 | Max DC/Peak AC resistance |
| Carry Current | Amps | 2.8 | Max DC/Peak AC resistance(@30°C) |
| Contact Rating | Watts | 50 | Max DC/Peak AC resistance |
| Life Expectancy | x10 ⁶ Cycle | 1000 | @ 1V 10mA |
| Contact Resistance | mΩ | 150 | Max initial @ operate voltage |
| Contact Resistance Stability | mΩ | 5 | Max initial @ operate voltage |
| Relay Specifications | | | |
| Insulation Resistance | Ω Min | 10 ¹⁰ | Between all isolated pins @ 100V 20°C 65%RH |
| Dielectric Strength (Static) | VDC Min | 400 | Between contacts |
| | VDC Min | 1000 | Contacts to shield |
| | VDC Min | 1000 | Contacts to coil |
| | VDC Min | 1000 | Shield to coil |
| Operate Time (Including Bounce) | msec Max | 0.75 | @ nominal coil voltage 100 Hz square wave |
| Release Time | msec Max | 0.2 | Diode suppression |
| Measurement Reference Conditions | | Environmental Ratings | |
| Temp: 15°C to 35°C Humidity: 25% to 75%RH Atmospheric Pressure: 860 to 1060hpa | | Storage temp: -40°C to +85°C Operate temp: -20°C to +80°C Vibration: 20G's to 2000Hz Shock: 50G's | |

Dimensions All Dimensions are mm (inch)



Schematic <Top View>

