

100D 1 Form C Series

SIP



PRODUCT DESCRIPTIONS

This 100D series extends its high breakdown voltage capability to 1 Form C contacts. The 100D 1 Form C series has 100V switching and 1KV breakdown voltage with an electrostatic shield as standard feature.

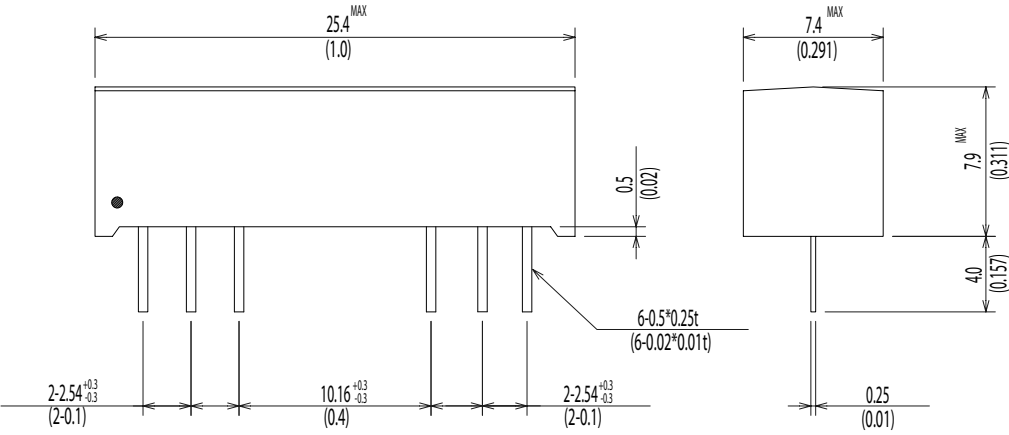
- 3W Contact Rating / 100V Switching
- 1KV Breakdown Voltage
- 50 x 10⁶ Cycle

SPECIFICATIONS



100D 1 Form C		100D-1C11N0	
Parameters	Units	1 Form C	Test Conditions
Coil Specifications			
Nominal Coil Voltage	VDC	5.0	±10% @ 20°C @ 20°C @ 20°C
Coil Resistance	Ω	230	
Operate Voltage	VDC Max	3.75	
Release Voltage	VDC Min	0.7	
Contact Ratings			
Switching Voltage	Volts	100	Max DC/Peak AC resistance
Switching Current	Amps	0.2	Max DC/Peak AC resistance
Carry Current	Amps	0.5	Max DC/Peak AC resistance(@30°C)
Contact Rating	Watts	3	Max DC/Peak AC resistance
Life Expectancy	x10 ⁶ Cycle	50	@ 1V 10mA
Contact Resistance	mΩ	150	Max initial @ operate voltage
Contact Resistance Stability	mΩ	5	Max initial @ operate voltage
Relay Specifications			
Insulation Resistance	Ω Min	10 ¹⁰	Between all isolated pins @ 100V 20°C 65%RH
Dielectric Strength (Static)	VDC Min	200	Between contacts
	VDC Min	1000	Contacts to shield
	VDC Min	1000	Contacts to coil
	VDC Min	1000	Shield to coil
Operate Time (Including Bounce)	msec Max	1.0	@ nominal coil voltage 100 Hz square wave
Release Time	msec Max	2.0	Diode suppression
Measurement Reference Conditions		Environmental Ratings	
Temp: 15°C to 35°C Humidity: 25% to 75%RH Atmospheric Pressure: 860 to 1060hpa		Storage temp: -40°C to +85°C Operate temp: -20°C to +80°C Vibration: 20G's to 2000Hz Shock: 50G's	

Dimensions All Dimensions are mm (inch)



Schematic <Top View>

