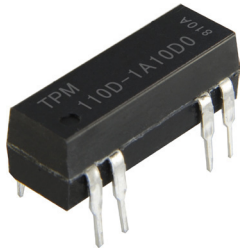


110D Form A Series

DIP



PRODUCT DESCRIPTIONS

The 110D Form A Series is an industrial standard DIP relay, which has long been used by a wide range of industrial applications.



SPECIFICATIONS

| 110D Form A | | 110D-1A□0D0 | | | 110D-2A□0D0 | | | |
|--|------------------------|--------------------|------|--|--------------------|------|------|--|
| Parameters | Units | 1 Form A | | | 2 Form A | | | Test Conditions |
| Coil Specifications | | | | | | | | |
| Nominal Coil Voltage | VDC | 5.0 | 12.0 | 24.0 | 5.0 | 12.0 | 24.0 | ±10% @ 20°C @ 20°C @ 20°C |
| Coil Resistance | Ω | 500 | 1000 | 2150 | 140 | 500 | 2150 | |
| Operate Voltage | VDC Max | 3.75 | 8.8 | 17.6 | 3.75 | 8.8 | 17.6 | |
| Release Voltage | VDC Min | 0.7 | 1.2 | 2.4 | 0.7 | 1.2 | 2.4 | |
| Contact Ratings | | | | | | | | |
| Switching Voltage | Volts | 100 | | | | | | Max DC/Peak AC resistance Max DC/Peak AC resistance Max DC/Peak AC resistance(@30°C) Max DC/Peak AC resistance @ 1V 10mA Max initial @ operate voltage Max initial @ operate voltage |
| Switching Current | Amps | 0.5 | | | | | | |
| Carry Current | Amps | 1.0 | | | | | | |
| Contact Rating | Watts | 10 | | | | | | |
| Life Expectancy | x10 ⁶ Cycle | 100 | | | | | | |
| Contact Resistance | mΩ | 150 | | | | | | |
| Contact Resistance Stability | mΩ | 5.0 | | | | | | |
| Relay Specifications | | | | | | | | |
| Insulation Resistance | Ω Min | 10 ¹⁰ | | | | | | Between contacts Contacts to coil @ 100V 20°C 65%RH |
| | Ω Min | 10 ¹⁰ | | | | | | |
| Dielectric Strength (Static) | VDC Min | 200 | | | | | | Between contacts Contacts to coil |
| | VDC Min | 1500 | | | | | | |
| Operate Time (Including Bounce) | msec Max | 1.0 | | | | | | @ nominal coil voltage 100 Hz square wave |
| Release Time | msec Max | 1.0 | | | | | | Diode suppression |
| Measurement Reference Conditions | | | | Environmental Ratings | | | | |
| Temp: 15°C to 35°C Humidity: 25% to 75%RH Atmospheric Pressure: 860 to 1060hpa | | | | Storage temp: -40°C to +85°C Operate temp: -20°C to +80°C Vibration: 20G's to 2000Hz Shock: 50G's | | | | |

Ordering Code:

110D-1A□0D0

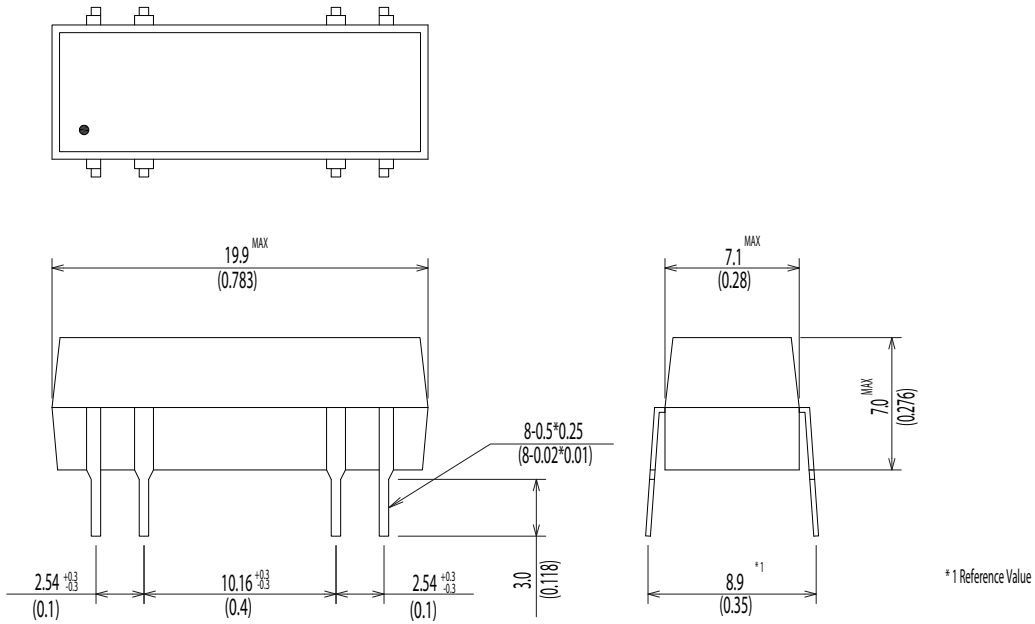
□=1 (5.0VDC), 2(12.0VDC), 3(24.0VDC)

110D-2A□0D0

□=1 (5.0VDC), 2(12.0VDC), 3(24.0VDC)

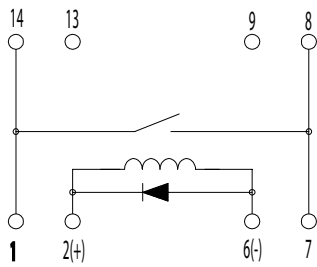
Dimensions All Dimensions are mm (inch)

110D-1A□0D0/110D-2A□0D0



Schematic <Top View>

110D-1A□0D0



110D-2A□0D0

