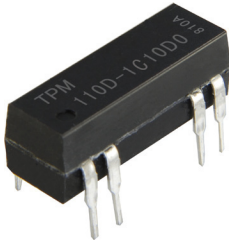


110D Form C Series

DIP



PRODUCT DESCRIPTIONS

The 110D Form C Series is an industrial standard DIP relay, which has long been used by a wide range of industrial applications.

SPECIFICATIONS



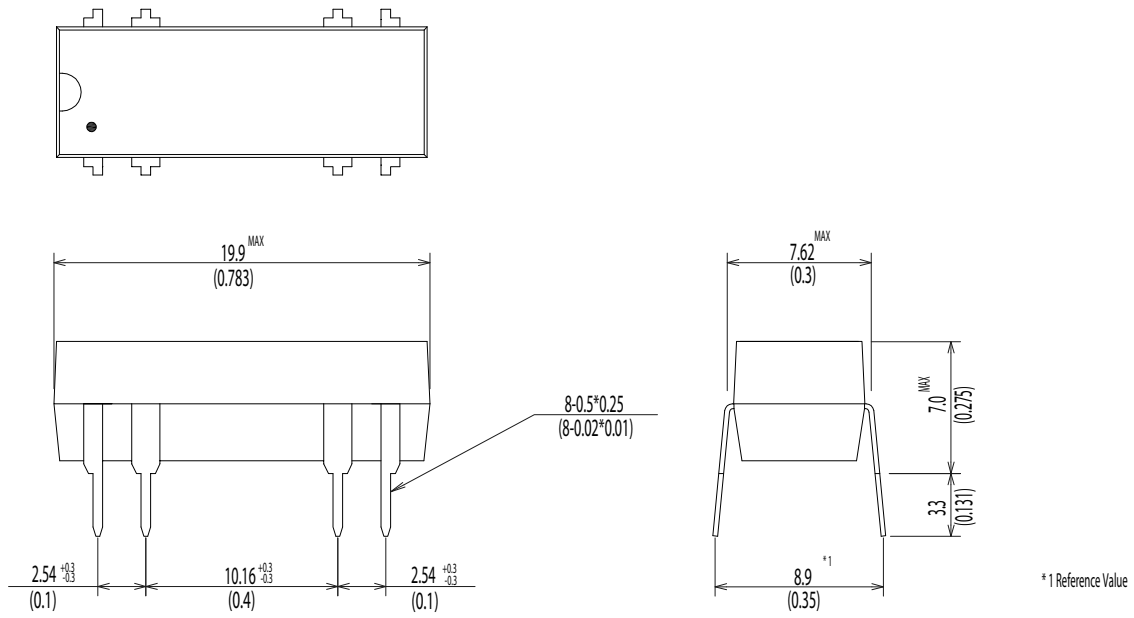
110D Form C Series		110D-1C□0D0			
Parameters	Units	1 Form C			Test Conditions
Coil Specifications					
Nominal Coil Voltage	VDC	5.0	12.0	24.0	±10% @ 20°C @ 20°C @ 20°C
Coil Resistance	Ω	200	500	2150	
Operate Voltage	VDC Max	3.75	8.8	17.6	
Release Voltage	VDC Min	0.7	1.2	2.4	
Contact Ratings					
Switching Voltage	Volts	30			Max DC/Peak AC resistance
Switching Current	Amps	0.2			Max DC/Peak AC resistance
Carry Current	Amps	0.5			Max DC/Peak AC resistance(@30°C)
Contact Rating	Watts	3			Max DC/Peak AC resistance
Life Expectancy	x10 ⁶ Cycle	50			@ 1V 10mA
Contact Resistance	mΩ	150			Max initial @ operate voltage
Contact Resistance Stability	mΩ	5			Max initial @ operate voltage
Relay Specifications					
Insulation Resistance	Ω Min	10 ¹⁰			Between contacts
	Ω Min	10 ¹⁰			Contacts to coil @ 100V 20°C 65%RH
Dielectric Strength (Static)	VDC Min	200			Between contacts
	VDC Min	1500			Contacts to coil
Operate Time (Including Bounce)	msec Max	2.0			@ nominal coil voltage 100 Hz square wave
Release Time	msec Max	2.2			Diode suppression
Measurement Reference Conditions			Environmental Ratings		
Temp: 15°C to 35°C Humidity: 25% to 75%RH Atmospheric Pressure: 860 to 1060hpa			Storage temp: -40°C to +85°C Operate temp: -20°C to +60°C Vibration: 20G's to 2000Hz Shock: 50G's		

Ordering Code:

110D-1C□0D0

□=1 (5.0VDC), 2(12.0VDC), 3(24.0VDC)

Dimensions All Dimensions are mm (inch)



Schematic <Top View>

