

21D Form C Series

PCB Mount

PRODUCT DESCRIPTIONS



This series comes in 1 Form C (A+B) configuration, and has been widely accepted by measurement equipment industries for VXI/PXI pattern generators and arbitrary waveform generators.

SPECIFICATIONS



21D Form C Series		21D-1E□2□0			
Parameters	Units	1 Form C (A+B)			Test Conditions
Coil Specifications					
Nominal Coil Voltage	VDC	5.0	12.0	24.0	
Coil Resistance	Ω	90	600	1800	±10% @ 20°C
Operate Voltage	VDC Max	3.75	8.8	17.6	@ 20°C
Release Voltage	VDC Min	0.7	1.2	2.4	@ 20°C
Contact Ratings					
Switching Voltage	Volts	100			Max DC/Peak AC resistance
Switching Current	Amps	0.5			Max DC/Peak AC resistance
Carry Current	Amps	1.0			Max DC/Peak AC resistance(@30°C)
Contact Rating	Watts	10			Max DC/Peak AC resistance
Life Expectancy	x10 ⁶ Cycle	1000			@ 1V 10mA
Contact Resistance	mΩ	150			Max initial @ operate voltage
Contact Resistance Stability	mΩ	5.0			Max initial @ operate voltage
Relay Specifications					
Insulation Resistance	Ω Min	10 ¹⁰			Between all isolated pins @ 100V 20°C 65%RH
Dielectric Strength (Static)	VDC Min	200			Between contacts
	VDC Min	500			Contacts to shield
	VDC Min	500			Contacts/Shield to coil
Operate Time (Including Bounce)	msec Max	1.0			@ nominal coil voltage 100 Hz square wave
Release Time	msec Max	1.0			Diode suppression
Measurement Reference Conditions			Environmental Ratings		
Temp: 15°C to 35°C Humidity: 25% to 75%RH Atmospheric Pressure: 860 to 1060hpa			Storage temp: -40°C to +85°C Operate temp: -20°C to +60°C Vibration: 20G's to 2000Hz Shock: 50G's		

Ordering Code:

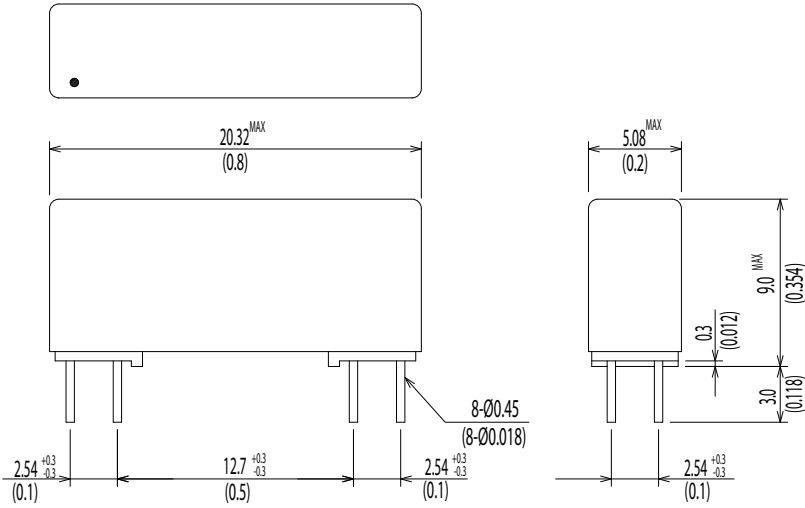
21D-1E□₁2□₂0

□₁ = 1(5.0VDC), 2(12.0VDC), 3(24.0VDC)

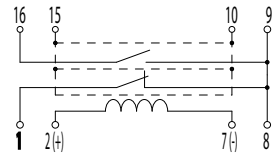
□₂ = N(No Diode), D(Diode), E(LED)

Dimensions All Dimensions are mm (inch)

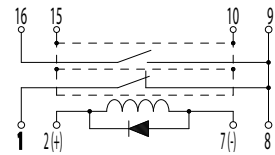
21D-1E□2N0/21D-1E□2D0



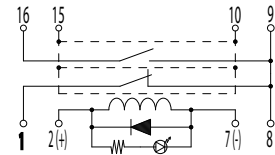
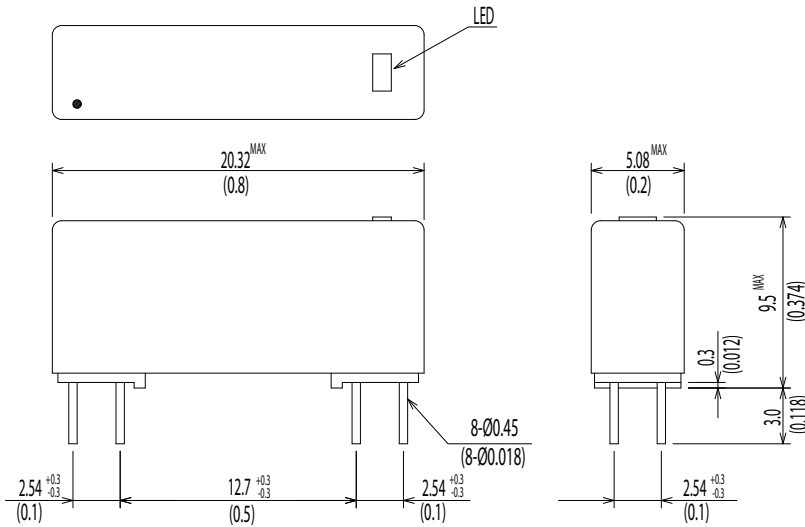
21D-1E□2N0



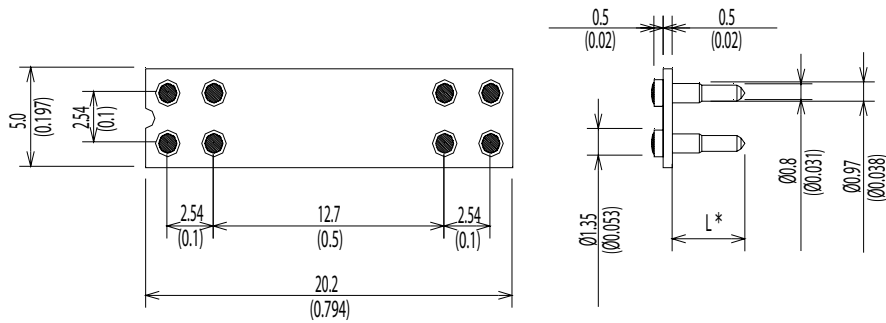
21D-1E□2D0



21D-1E□2E0



Relay Socket Part Number: SX-8-□.□



Ordering Code:

SX-8-□.□

□.□ = 1.6(*3.3mm), 3.2(*4.0mm), 4.8(*5.3mm)