

# 26D 1 Form A Series

PCB Mount / EMF

## PRODUCT DESCRIPTIONS



The 26D series is a 1 Form A EMF dry reed relay, which achieves 5 $\mu$ V low thermal EMF. Due to measure microvolt level signals, this relay is ideal to reduce error caused by EMF, which is designed to offset any additional voltage. Featured electrostatic shield improves signal noise ratio. Package size is as small as well known 20D reed relay, allows high density PCB mounting.

- Low Thermal EMF: <5 $\mu$ V
- Low Power Coils
- Electrostatic Shield as Standard Feature

## SPECIFICATIONS



26D-1A Series		26D-1A□1N0		
Parameters	Units	1 Form A		Test Conditions
<b>Coil Specifications</b>				
Nominal Coil Voltage	VDC	5.0	12.0	±10% @ 20°C @ 20°C @ 20°C
Coil Resistance	Ω	330	1800	
Operate Voltage	VDC Max	3.75	8.8	
Release Voltage	VDC Min	0.7	1.2	
<b>Contact Ratings</b>				
Switching Voltage	Volts	100		Max DC/Peak AC resistance
Switching Current	Amps	0.5		Max DC/Peak AC resistance
Carry Current	Amps	1.0		Max DC/Peak AC resistance(@ 30°C)
Contact Rating	Watts	10		Max DC/Peak AC resistance
Life Expectancy	x10 <sup>6</sup> Cycle	1000		@ 1V 10mA
Contact Resistance	mΩ	150		Max initial @ operate voltage
Contact Resistance Stability	mΩ	5.0		Max initial @ operate voltage
<b>Relay Specifications</b>				
Insulation Resistance	Ω Min	10 <sup>10</sup>		Between all isolated pins @ 100V 20°C 65%RH
Thermal EMF	μV Max	5.0		Test after rated voltage applied for 5 minutes
Dielectric Strength (Static)	VDC Min	200		Between contacts
	VDC Min	500		Contacts to shield
	VDC Min	500		Contacts/Shield to coil
Operate Time (Including Bounce)	msec Max	1.0		@ nominal coil voltage 100 Hz square wave
Release Time	msec Max	1.0		Diode suppression
<b>Measurement Reference Conditions</b>			<b>Environmental Ratings</b>	
Temp: 15°C to 35°C Humidity: 25% to 75%RH Atmospheric Pressure: 860 to 1060hpa			Storage temp: -40°C to +85°C Operate temp: -20°C to +80°C Vibration: 20G's to 2000Hz Shock: 50G's	

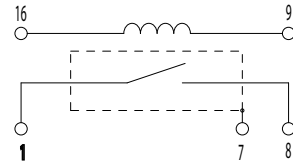
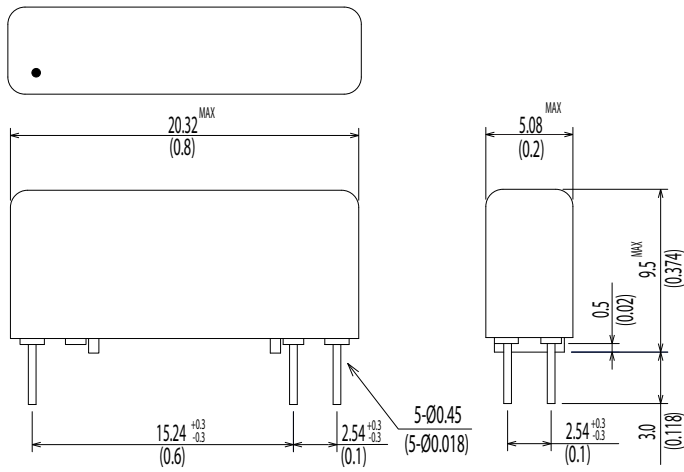
### Ordering Code:

**26D-1A□1N0**

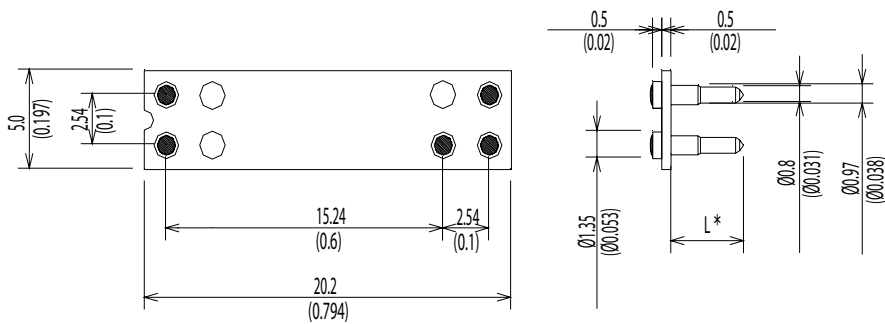
□=1 (5.0VDC), 2(12.0VDC)

**Dimensions** All Dimensions are mm (inch)

**Schematic <Top View>**



Relay Socket Part Number: SX-5-□.□



**Ordering Code:**

**SX-5-□.□**

□.□ = 1.6(\*3.3mm), 3.2(\*4.0mm), 4.8(\*5.3mm)