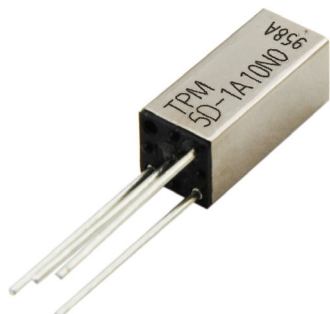


# 5D Series

# PCB Ultra Density

## PRODUCT DESCRIPTIONS



The 5D Series is an ultra high density relay, which has the smallest surface size of 4.35mm x 4.35mm in our product line. The size allows you to meet the KGD demands of the IC industry by mounting 500 relays on an 8" board and 1000 relays on a 12" board.

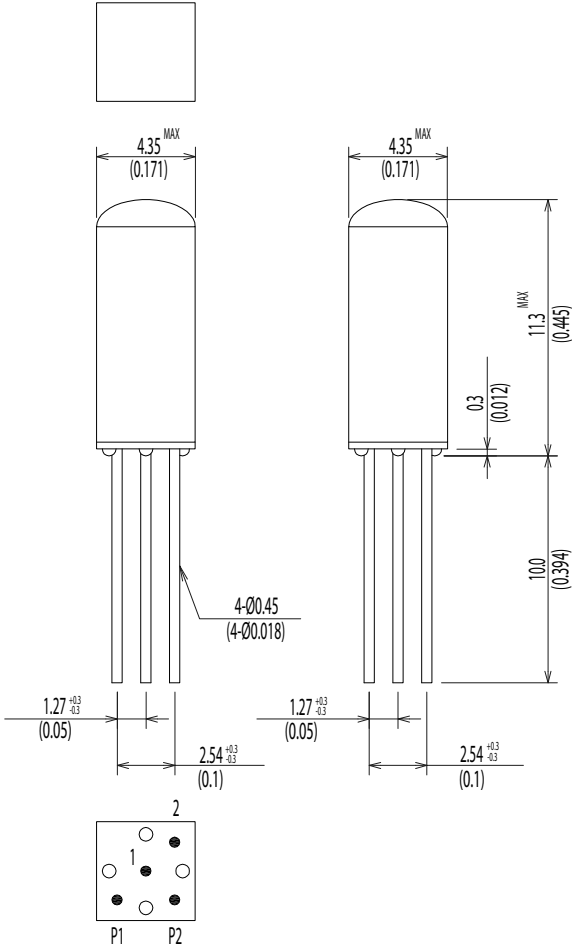
We also offer additional options such as single/double shield and relay sockets for easy maintenance. Please contact our sales engineers for more details.

## SPECIFICATIONS



5D Series		5D-1A10N0	
Parameters	Units	1 Form A	Test Conditions
<b>Coil Specifications</b>			
Nominal Coil Voltage	VDC	5.0	±10% @ 20°C @ 20°C @ 20°C
Coil Resistance	Ω	150	
Operate Voltage	VDC Max	3.75	
Release Voltage	VDC Min	0.7	
<b>Contact Ratings</b>			
Switching Voltage	Volts	50	Max DC/Peak AC resistance Max DC/Peak AC resistance Max DC/Peak AC resistance (@30°C) Max DC/Peak AC resistance @ 1V 10mA Max initial @ operate voltage Max initial @ operate voltage
Switching Current	Amps	0.2	
Carry Current	Amps	0.75	
Contact Rating	Watts	5	
Life Expectancy	x10 <sup>6</sup> Cycle	300	
Contact Resistance	mΩ	150	
Contact Resistance Stability	mΩ	5.0	
<b>Relay Specifications</b>			
Insulation Resistance	Ω Min	10 <sup>10</sup>	Between contacts Contacts to coil @100V20°C65%RH
	Ω Min	10 <sup>10</sup>	
Dielectric Strength (Static)	VDC Min	150	Between contacts Contacts to coil
	VDC Min	150	
Operate Time (Including Bounce)	msec Max	0.3	@ nominal coil voltage 100 Hz square wave
Release Time	msec Max	0.3	Diode suppression
<b>Measurement Reference Conditions</b>		<b>Environmental Ratings</b>	
Temp: 15°C to 35°C Humidity: 25% to 75%RH Atmospheric Pressure: 860 to 1060hpa		Storage temp: -40°C to +85°C Operate temp: -20°C to +60°C Vibration: 20G's to 2000Hz Shock: 50G's	

**Dimensions All Dimensions are mm (inch)**



**Schematic <Top View>**

