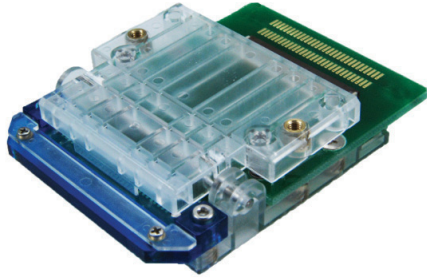


# FA50xxAB00



## Features

- Pitch: 0.5mm
- Body Width: 49mm
- Pin Number: 35~55
- Connection: FFC
- Reliability: 500K Ops

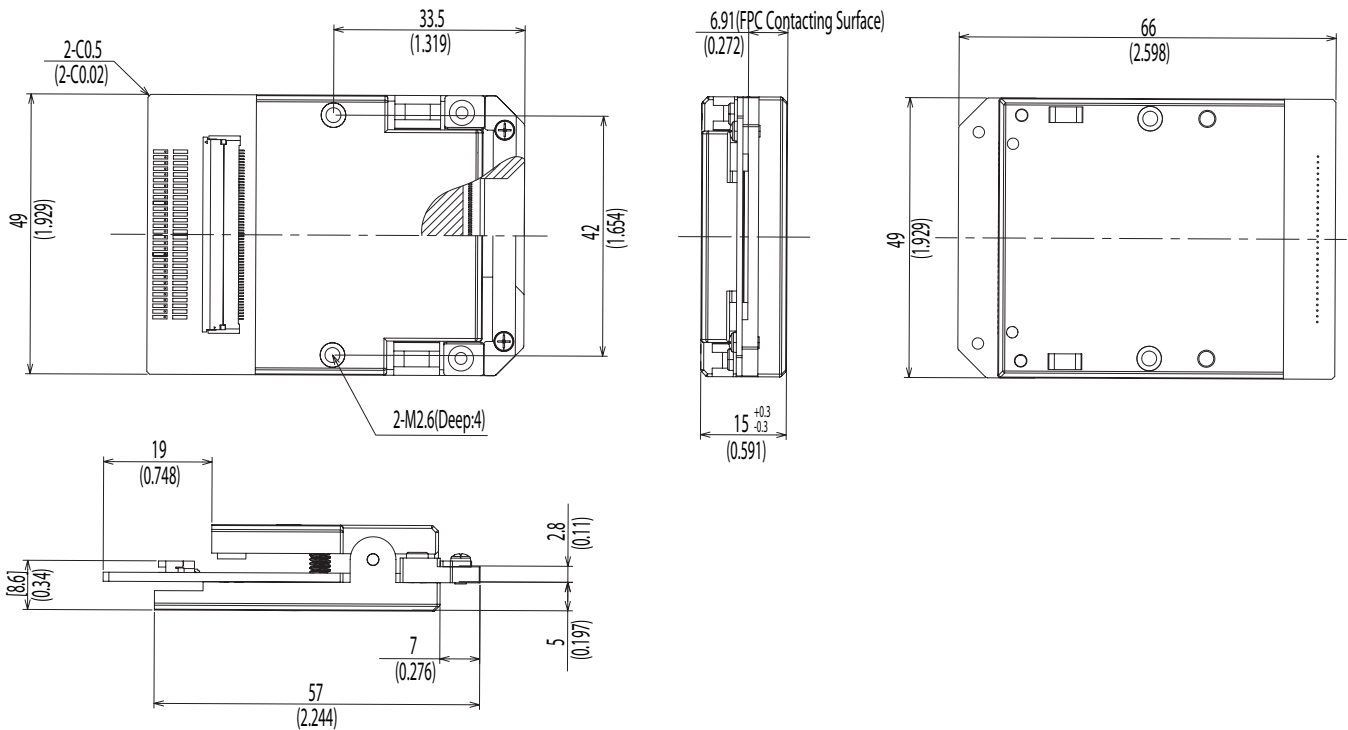


## Electrical Specifications

Test Parameters	Test Conditions	Min	Nom	Max	Units
Carry Current	@ 30°C	DC/Peak AC Resist		0.5	A
	@ 60°C	DC/Peak AC Resist		-	A
Voltage Rating	DC/Peak AC Resist			50	V
Contact Resistance	@1mA 20°C 65%RH Nominal load			300	mΩ
Insulation Resistance	@250V 20°C 65%RH	10 <sup>8</sup>			Ω
Dielectric Strength (Static)	AC for 1min. (Leakage current: 0.5mA max.)	250			V

Notes: Operating Condition 0 to 60°C, 25 to 65%RH

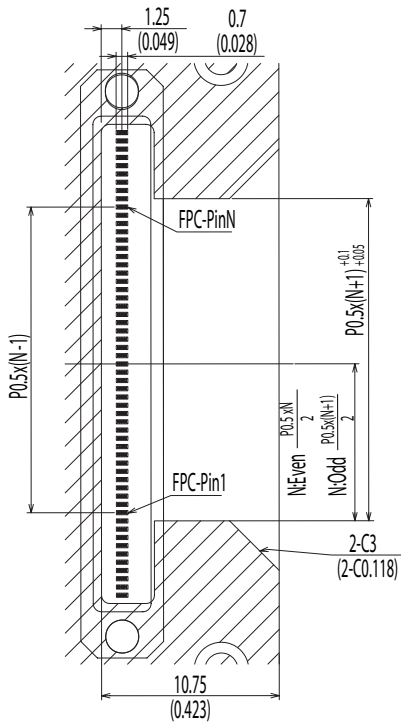
## Dimensions All Dimensions are mm (inch)



0.5mm pitch

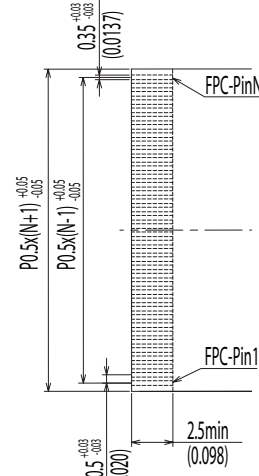
**Dimensions** All Dimensions are mm (inch)

**Guide Part Expansion**



**Cable**

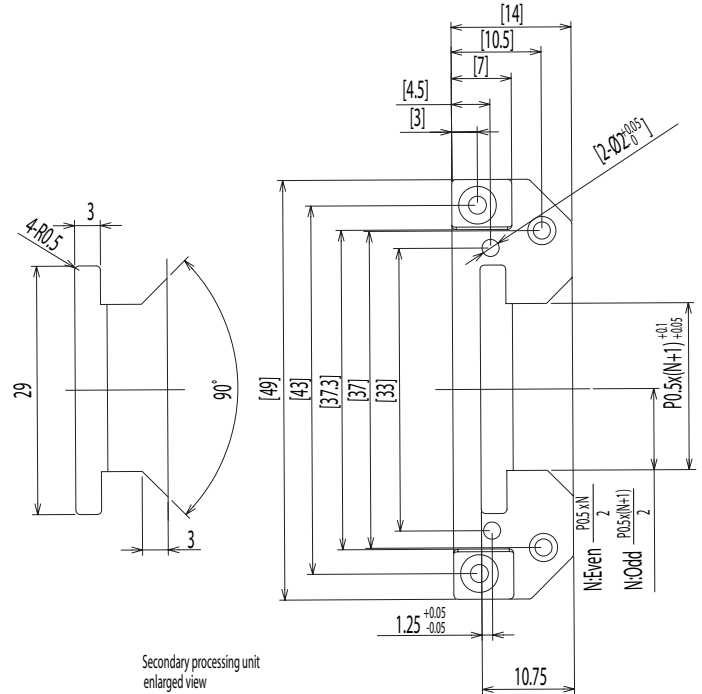
Pad is back side



**Pin Assignment \*\***

60 Pin Connector Pin Name	35	36	37	38	39	40	41	42	43	44	45	46	47	48	49	50	51	52	53	54	55	
1																						
2																						
3																						
4																						
5																						
6																						
7																						
8																						
9																						
10																						
11																						
12																						
13																						
14																						
15																						
16																						
17																						
18																						
19																						
20																						
21																						
22																						
23																						
24																						
25																						
26																						
27																						
28																						
29																						
30																						
31																						
32																						
33																						
34																						
35																						
36																						
37																						
38																						
39																						
40																						
41																						
42																						
43																						
44																						
45																						
46																						
47																						
48																						
49																						
50																						
51																						
52																						
53																						
54																						
55																						
56																						
57																						
58																						
59																						
60																						

**Standard Guide Parts**



0.5mm pitch

**\*\* Ordering Code: FA50□□AB00**

□□=number of contacts