

FAA1xxAA00

Features

- Pitch: 1.0mm
- Body Width: 49mm
- Pin Number: 18~28
- Connection: FRC
- Reliability: 500K Ops

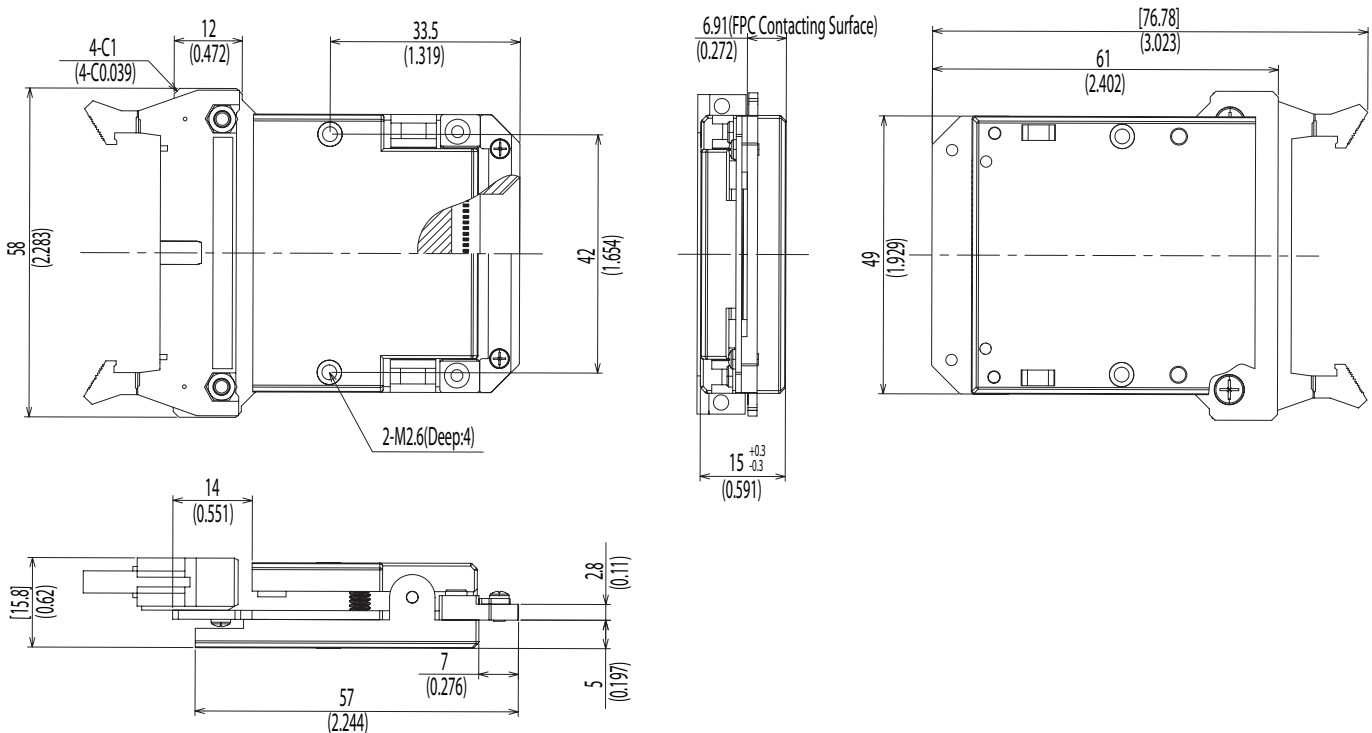


Electrical Specifications

Test Parameters		Test Conditions	Min	Nom	Max	Units
Carry Current	@ 30°C	DC/Peak AC Resist			0.5	A
	@ 60°C	DC/Peak AC Resist			-	A
Voltage Rating		DC/Peak AC Resist			50	V
Contact Resistance		@1mA 20°C 65%RH Nominal load			300	mΩ
Insulation Resistance		@250V 20°C 65%RH	10 ⁸			Ω
Dielectric Strength (Static)		AC for 1min. (Leakage current: 0.5mA max.)	250			V

Notes: Operating Condition 0 to 60°C, 25 to 65%RH

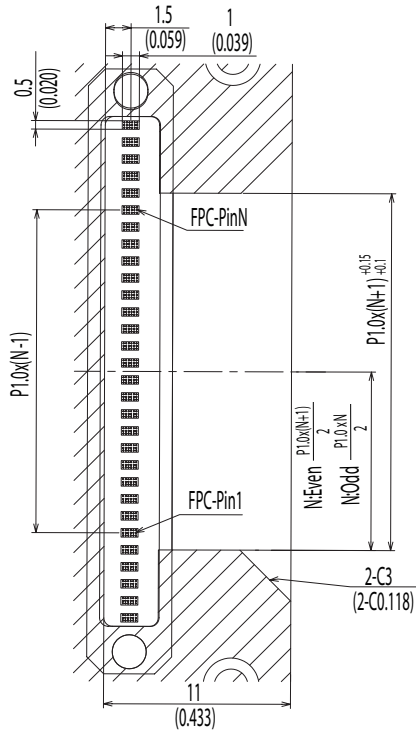
Dimensions All Dimensions are mm (inch)



1.0mm pitch

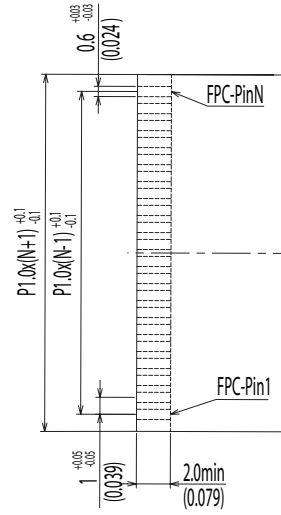
Dimensions All Dimensions are mm (inch)

Guide Part Expansion



Cable

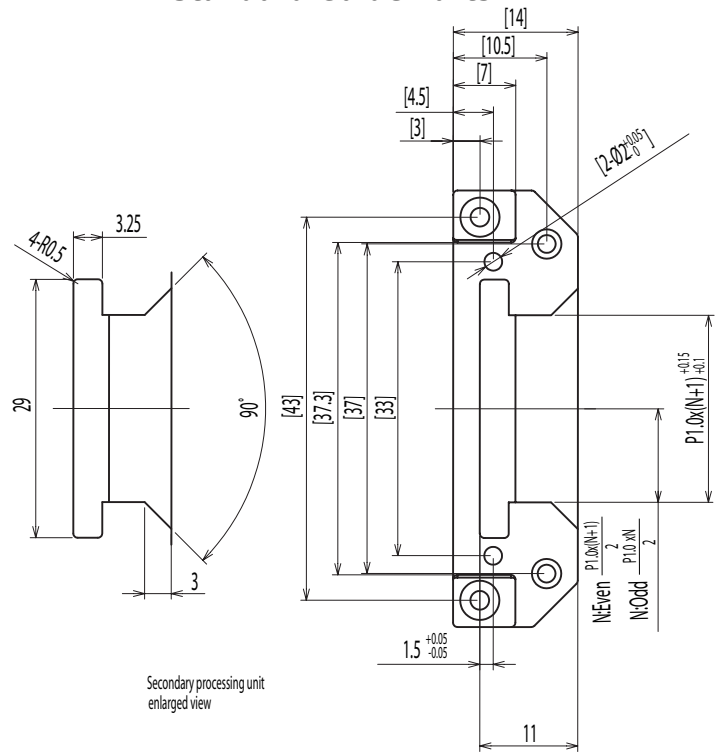
Pad is back side



Pin Assignment **

30 Pin Connector Pin Name	Interposer Pin Number										
	18	19	20	21	22	23	24	25	26	27	28
1											1
2											1
3										1	2
4										2	3
5										3	4
6										4	5
7										5	6
8										6	7
9										7	8
10										8	9
11										9	10
12										10	11
13										11	12
14										12	13
15										13	14
16										14	15
17										15	16
18										16	17
19										17	18
20										18	19
21										19	20
22										20	21
23										21	22
24										22	23
25										23	24
26										24	25
27										25	26
28										26	27
29										27	28
30										28	

Standard Guide Parts



** Ordering Code: FAA1□□AA00

□□ = number of contacts

1.0mm pitch