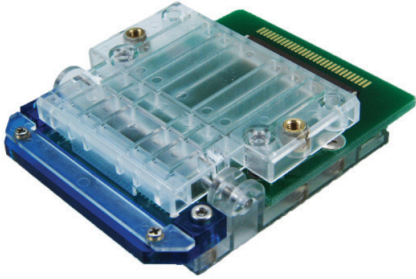


FAA1xxAB00



Features

- Pitch: 1.0mm
- Body Width: 49mm
- Pin Number: 18~28
- Connection: FFC
- Reliability: 500K Ops

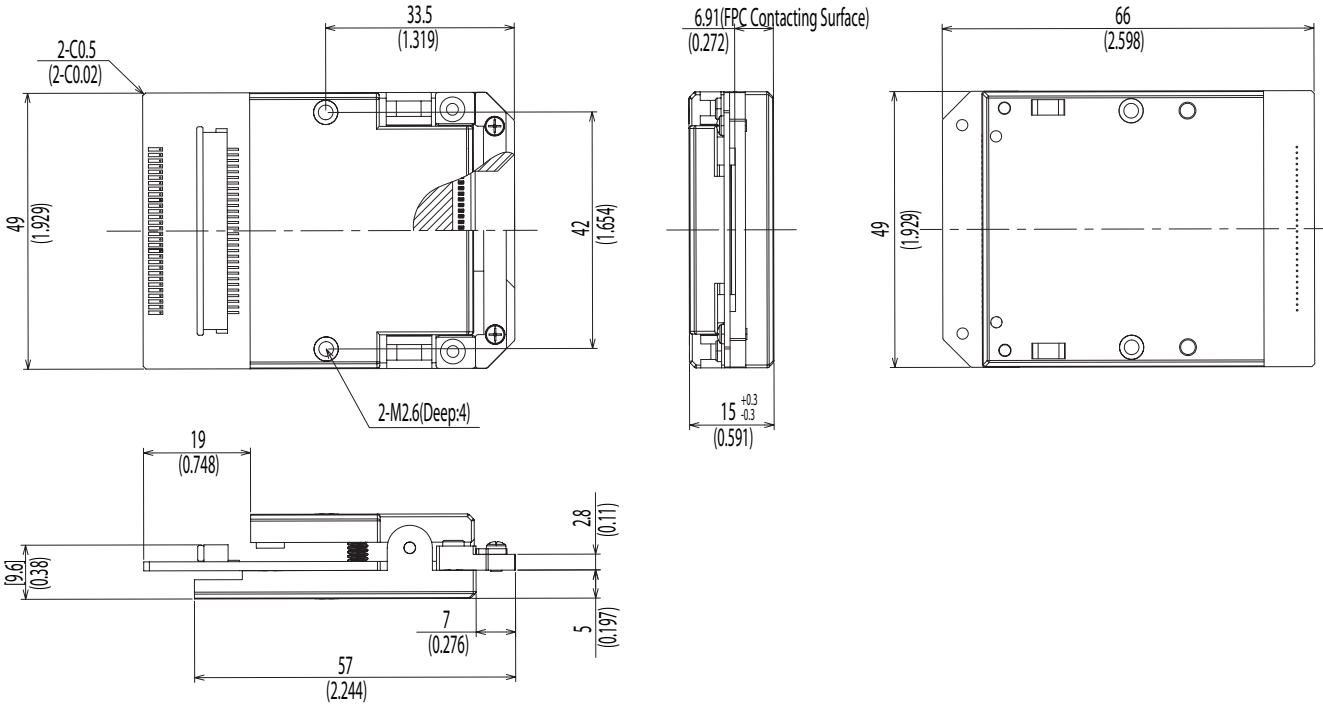


Electrical Specifications

Test Parameters		Test Conditions	Min	Nom	Max	Units
Carry Current	@ 30°C	DC/Peak AC Resist			0.5	A
	@ 60°C	DC/Peak AC Resist			-	A
Voltage Rating		DC/Peak AC Resist			50	V
Contact Resistance		@1mA 20°C 65%RH Nominal load			300	mΩ
Insulation Resistance		@250V 20°C 65%RH	10 ⁸			Ω
Dielectric Strength (Static)		AC for 1min. (Leakage current: 0.5mA max.)	250			V

Notes: Operating Condition 0 to 60°C, 25 to 65%RH

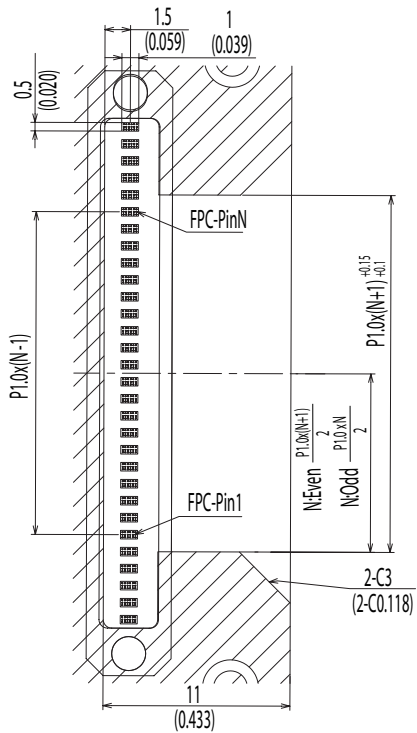
Dimensions All Dimensions are mm (inch)



1.0mm pitch

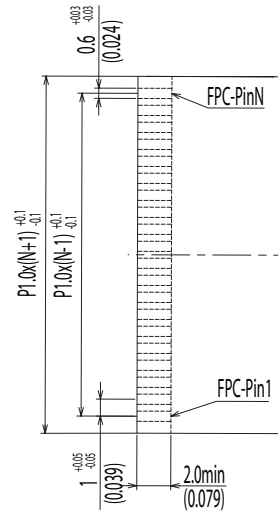
Dimensions All Dimensions are mm (inch)

Guide Part Expansion



Cable

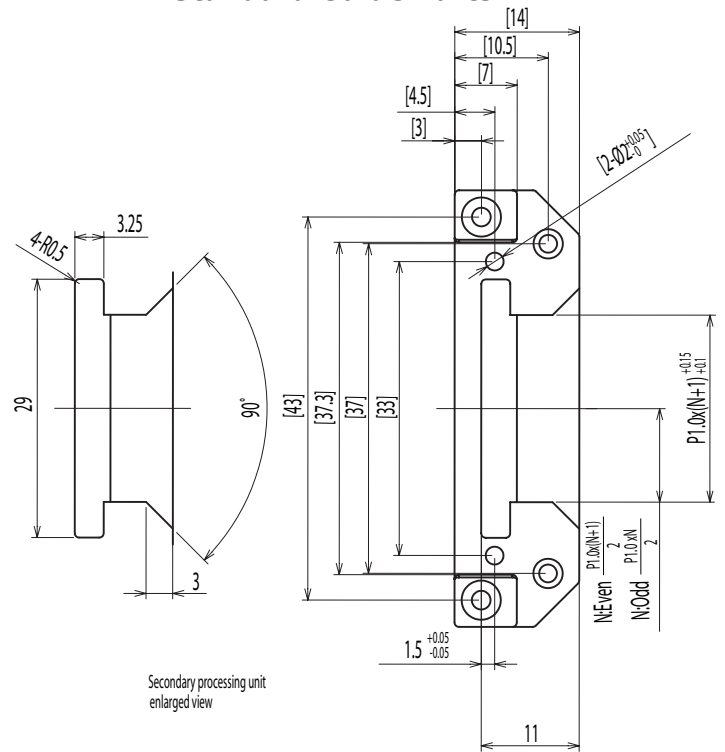
Pad is back side



Pin Assignment**

30 Pin Connector Pin Name	Interposer Pin Number																																				
	18	19	20	21	22	23	24	25	26	27	28																										
1																																					1
2																																					1
3																																					1
4																																					1
5																																					1
6																																					1
7																																					1
8																																					1
9																																					1
10																																					1
11																																					1
12																																					1
13																																					1
14																																					1
15																																					1
16																																					1
17																																					1
18																																					1
19																																					1
20																																					1
21																																					1
22																																					1
23																																					1
24																																					1
25																																					1
26																																					1
27																																					1
28																																					1
29																																					1
30																																					1

Standard Guide Parts



** Ordering Code: FAA1□□AB00

□□=number of contacts