

FB30xxAA00

Features

- Pitch: 0.3mm
- Body Width: 39mm
- Pin Number: 31~59
- Connection: FRC
- Reliability: 500K Ops

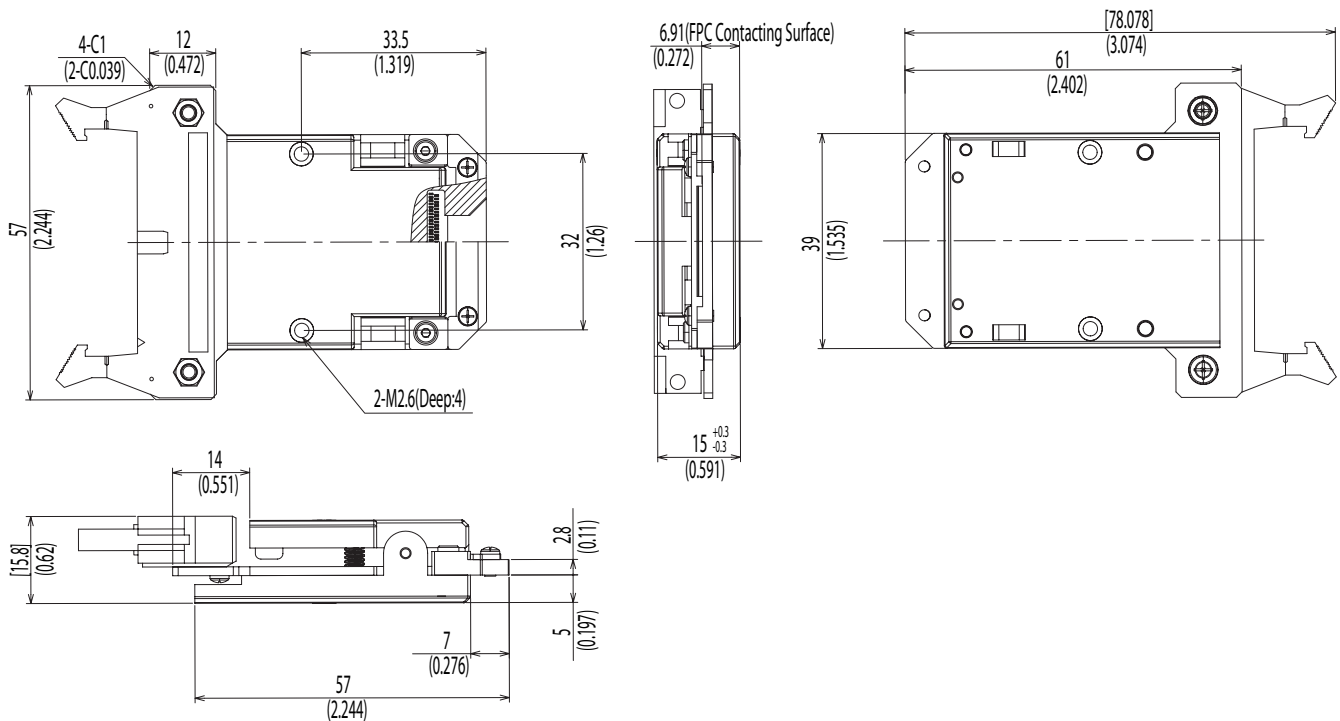


Electrical Specifications

Test Parameters		Test Conditions	Min	Nom	Max	Units
Carry Current	@ 30°C	DC/Peak AC Resist			0.5	A
	@ 60°C	DC/Peak AC Resist			-	A
Voltage Rating		DC/Peak AC Resist			50	V
Contact Resistance		@1mA 20°C 65%RH Nominal load			300	mΩ
Insulation Resistance		@250V 20°C 65%RH	10 ⁸			Ω
Dielectric Strength (Static)		AC for 1min. (Leakage current: 0.5mA max.)	250			V

Notes: Operating Condition 0 to 60°C, 25 to 65%RH

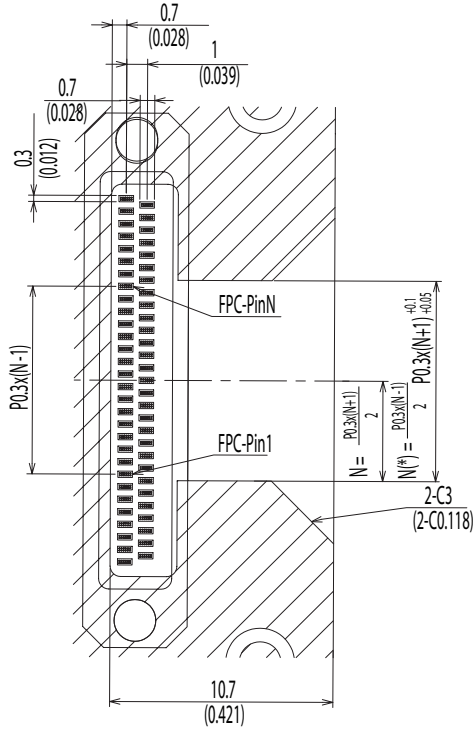
Dimensions All Dimensions are mm (inch)



0.3mm pitch

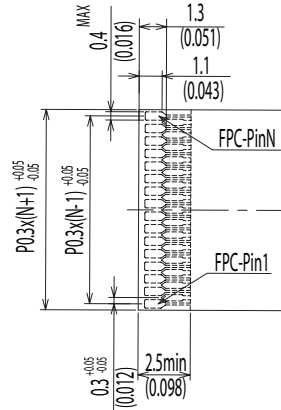
Dimensions All Dimensions are mm (inch)

Guide Part Expansion



Cable

Pad is back side

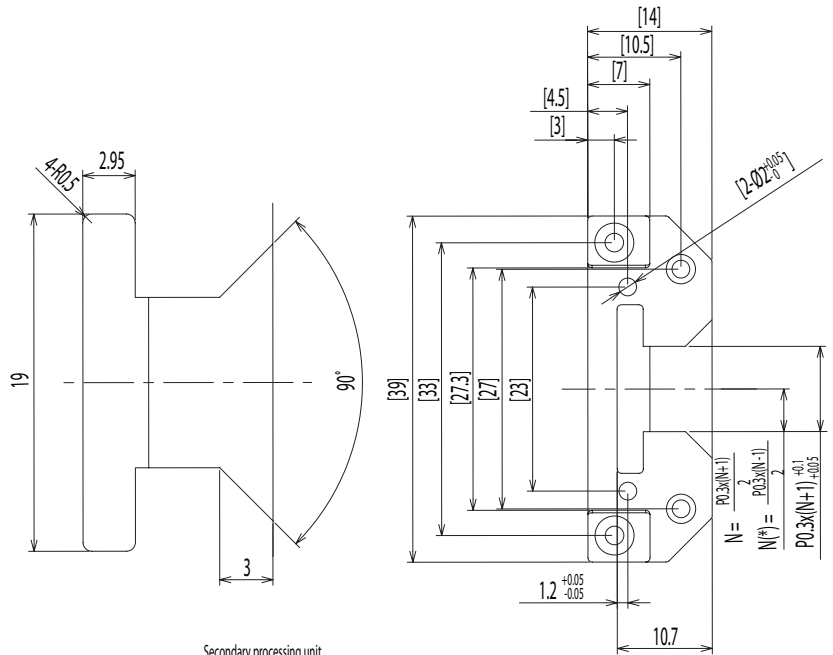


0.3mm pitch

Pin Assignment **

60 Pin Connector Pin Number	Interposer Pin Number														
	31	33	35	37	39	41	43	45	47	49	51	53	55	57	59
1	*														1
2															2
3														1	3
4														2	4
5														1	5
6														2	6
7														1	7
8														2	8
9														1	9
10														2	10
11														1	11
12														2	12
13														1	13
14														2	14
15														1	15
16														2	16
17														1	17
18														2	18
19														1	19
20														2	20
21														1	21
22														2	22
23														1	23
24														2	24
25														1	25
26														2	26
27														1	27
28														2	28
29														1	29
30														2	30
31														1	31
32														2	32
33														1	33
34														2	34
35														1	35
36														2	36
37														1	37
38														2	38
39														1	39
40														2	40
41														1	41
42														2	42
43														1	43
44														2	44
45														1	45
46														2	46
47														1	47
48														2	48
49														1	49
50														2	50
51														1	51
52														2	52
53														1	53
54														2	54
55														1	55
56														2	56
57														1	57
58														2	58
59														1	59
60														2	60

Standard Guide Parts



Secondary processing unit enlarged view (S=4/1)

**** Ordering Code: FB30□□AA00**
□□=number of contacts