

FB40xxAA00

Features

- Pitch: 0.4mm
- Body Width: 39mm
- Pin Number: 24~44
- Connection: FRC
- Reliability: 500K Ops



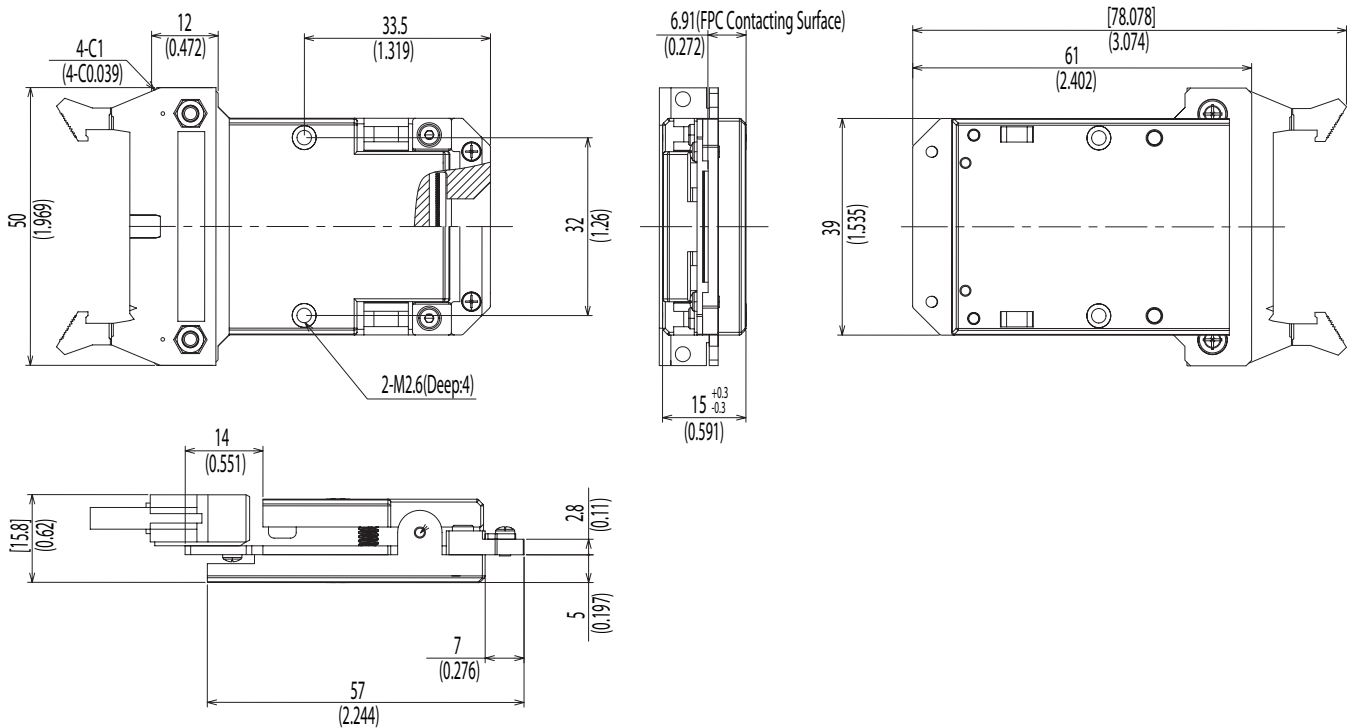
Electrical Specifications

Test Parameters		Test Conditions	Min	Nom	Max	Units
Carry Current	@ 30°C	DC/Peak AC Resist			0.5	A
	@ 60°C	DC/Peak AC Resist			-	A
Voltage Rating		DC/Peak AC Resist			50	V
Contact Resistance		@1mA 20°C 65%RH Nominal load			300	mΩ
Insulation Resistance		@250V 20°C 65%RH	10 ⁸			Ω
Dielectric Strength (Static)		AC for 1min. (Leakage current: 0.5mA max.)	250			V

Notes: Operating Condition 0 to 60°C, 25 to 65%RH

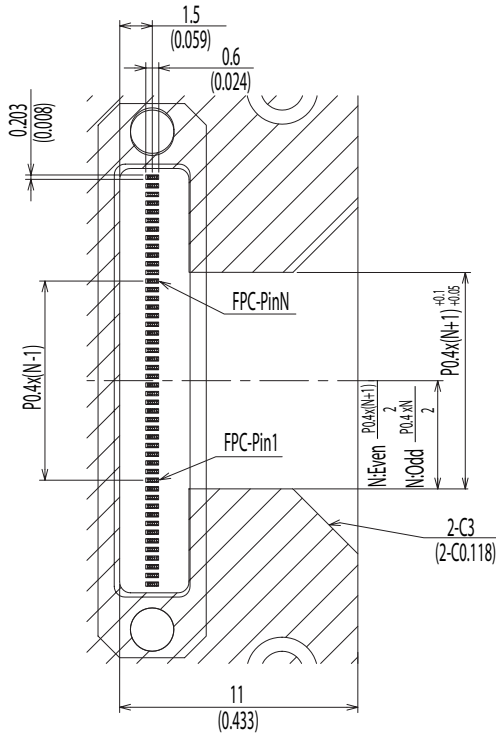
0.4mm pitch

Dimensions All Dimensions are mm (inch)



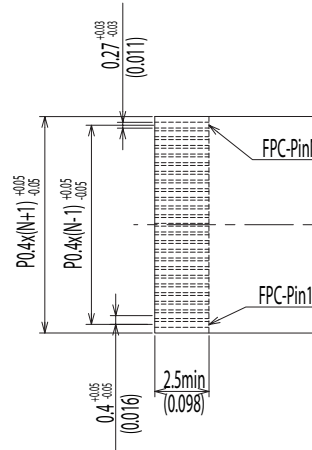
Dimensions All Dimensions are mm (inch)

Guide Part Expansion



Cable

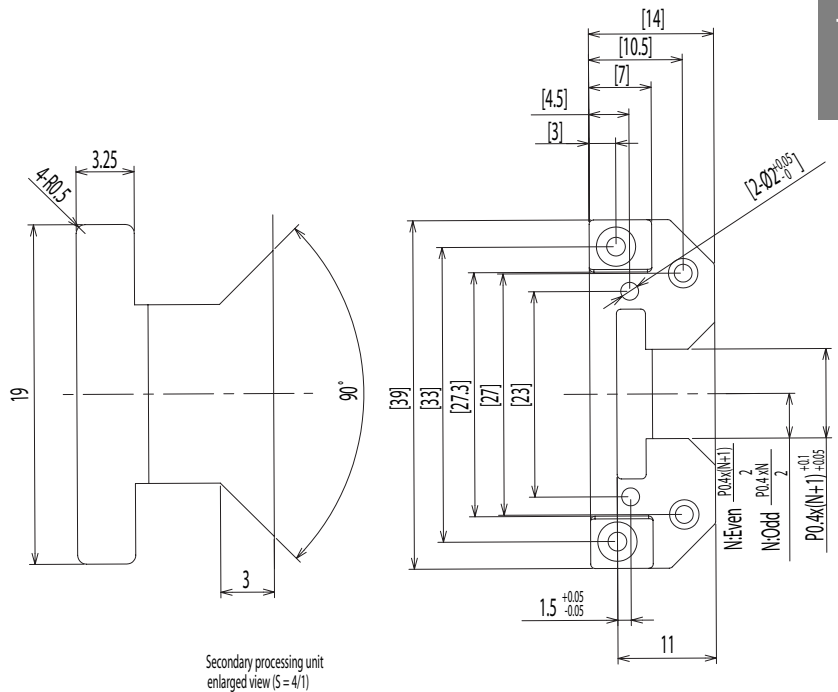
Pad is back side



Pin Assignment **

50 Pin Connector Pin Number	Interposer Pin Number																							
	24	25	26	27	28	29	30	31	32	33	34	35	36	37	38	39	40	41	42	43	44			
1																								
2																								
3																						1		
4																						1		
5																						1		
6																						1		
7																						1		
8																						1		
9																						1		
10																						1		
11																						1		
12																						1		
13																						1		
14																						1		
15																						1		
16																						1		
17																						1		
18																						1		
19																						1		
20																						1		
21																						1		
22																						1		
23																						1		
24																						1		
25																						1		
26																						1		
27																						1		
28																						1		
29																						1		
30																						1		
31																						1		
32																						1		
33																						1		
34																						1		
35																						1		
36																						1		
37																						1		
38																						1		
39																						1		
40																						1		
41																						1		
42																						1		
43																						1		
44																						1		
45																						1		
46																						1		
47																						1		
48																						1		
49																						1		
50																						1		

Standard Guide Parts



0.4mm pitch

**** Ordering Code: FB40□□AA00**

□□=number of contacts