

FBA1xxAB00

Features

- Pitch: 1.0mm
- Body Width: 39mm
- Pin Number: 10~18
- Connection: FFC
- Reliability: 500K Ops

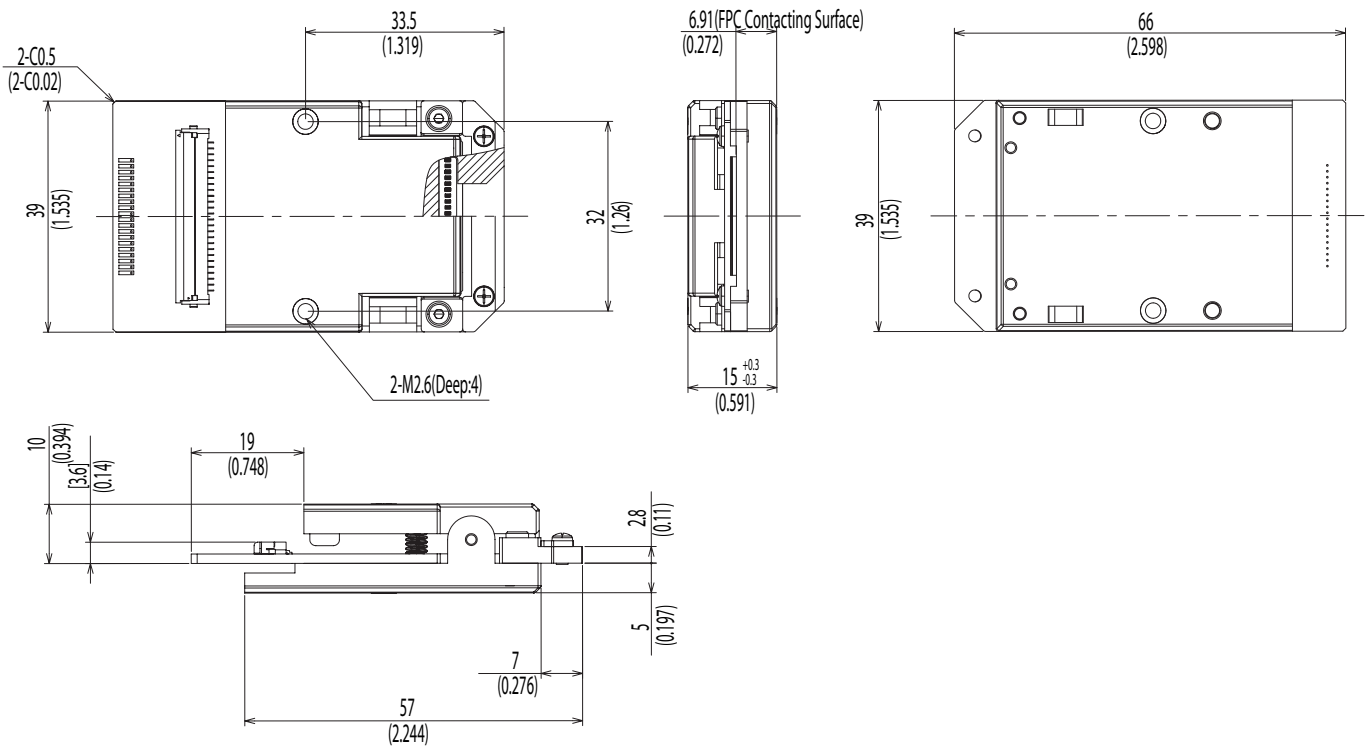


Electrical Specifications

Test Parameters		Test Conditions	Min	Nom	Max	Units
Carry Current	@ 30°C	DC/Peak AC Resist			0.5	A
	@ 60°C	DC/Peak AC Resist			-	A
Voltage Rating		DC/Peak AC Resist			50	V
Contact Resistance		@1mA 20°C 65%RH Nominal load			300	mΩ
Insulation Resistance		@250V 20°C 65%RH	10 ⁸			Ω
Dielectric Strength (Static)		AC for 1min. (Leakage current: 0.5mA max.)	250			V

Notes: Operating Condition 0 to 60°C, 25 to 65%RH

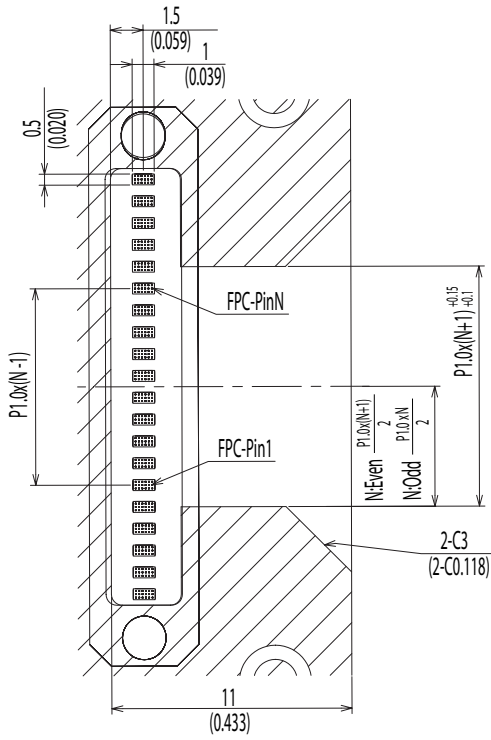
Dimensions All Dimensions are mm (inch)



1.0mm pitch

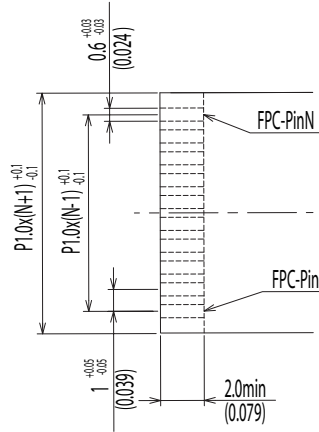
Dimensions All Dimensions are mm (inch)

Guide Part Expansion



Cable

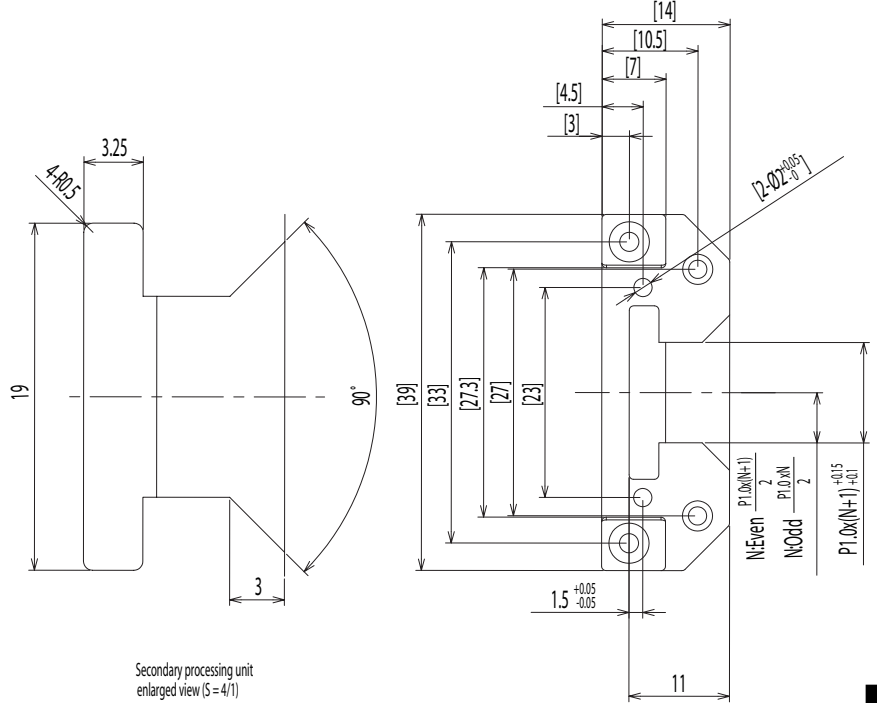
Pad is back side



Pin Assignment **

26 Pin Connector Pin Name	Interposer Pin Number																	
	10	11	12	13	14	15	16	17	18	19	20	21	22	23	24	25	26	
1																		1
2																		1
3																		2
4																		2
5																		3
6																		3
7																		4
8																		4
9																		5
10																		5
11																		6
12																		6
13																		7
14																		7
15																		8
16																		8
17																		9
18																		9
19																		10
20																		10
21-26																		11

Standard Guide Parts



**** Ordering Code: FBA1□□AB00**

□□=number of contacts

1.0mm pitch