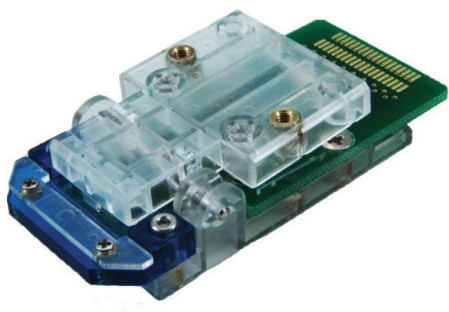


0.25mm pitch



FC25xxAB00

Features

- Pitch: 0.25mm
- Body Width: 29mm
- Pin Number: 15~31
- Connection: FFC
- Reliability: 500K Ops

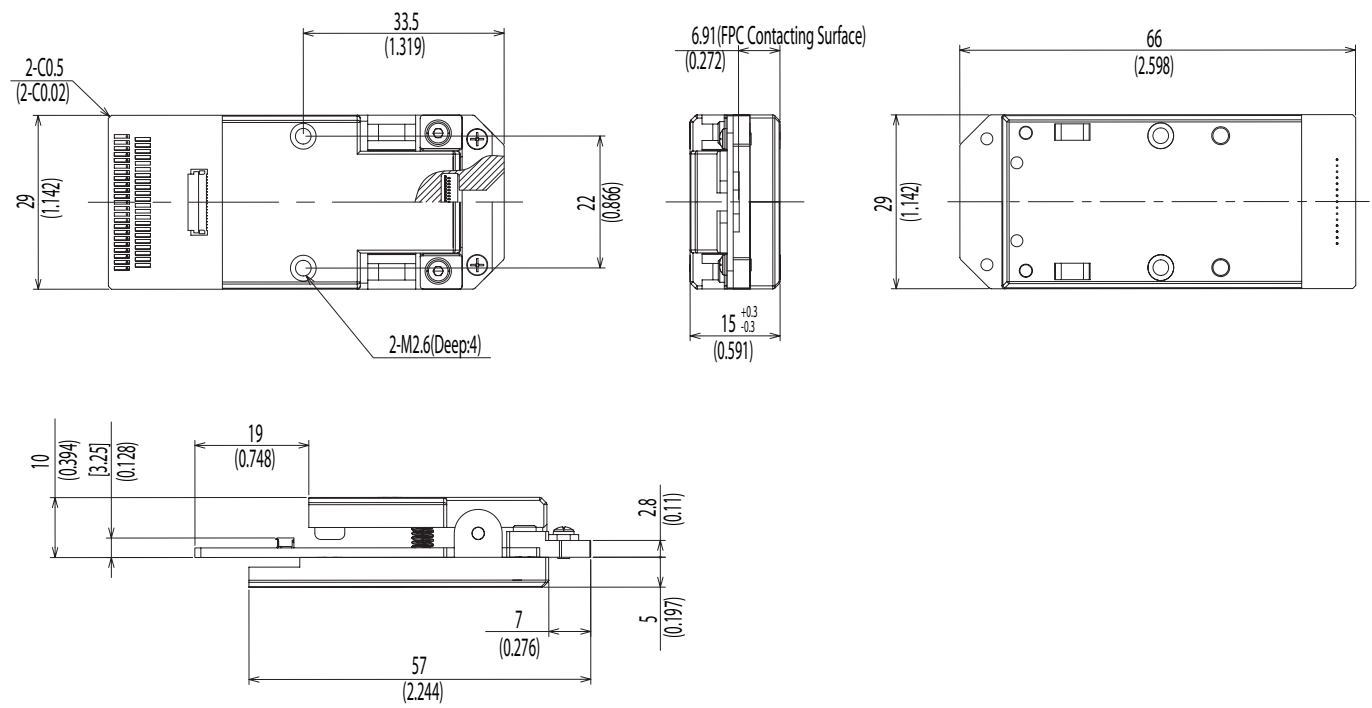


Electrical Specifications

Test Parameters		Test Conditions	Min	Nom	Max	Units
Carry Current	@ 30°C	DC/Peak AC Resist			0.5	A
	@ 60°C	DC/Peak AC Resist			-	A
Voltage Rating		DC/Peak AC Resist			50	V
Contact Resistance		@1mA 20°C 65%RH Nominal load			300	mΩ
Insulation Resistance		@250V 20°C 65%RH	10 ⁸			Ω
Dielectric Strength (Static)		AC for 1min. (Leakage current: 0.5mA max.)	250			V

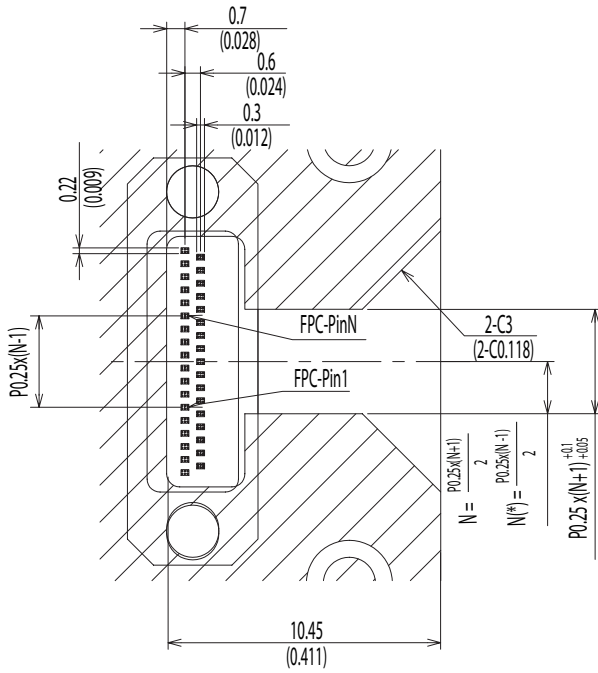
Notes: Operating Condition 0 to 60°C, 25 to 65%RH

Dimensions All Dimensions are mm (inch)



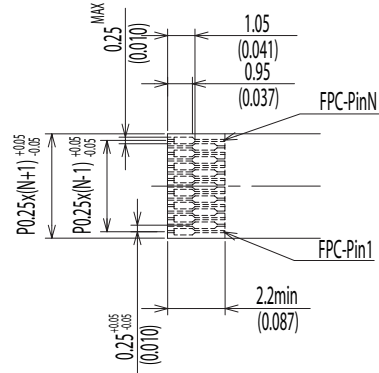
Dimensions All Dimensions are mm (inch)

Guide Part Expansion



Cable

Pad is back side

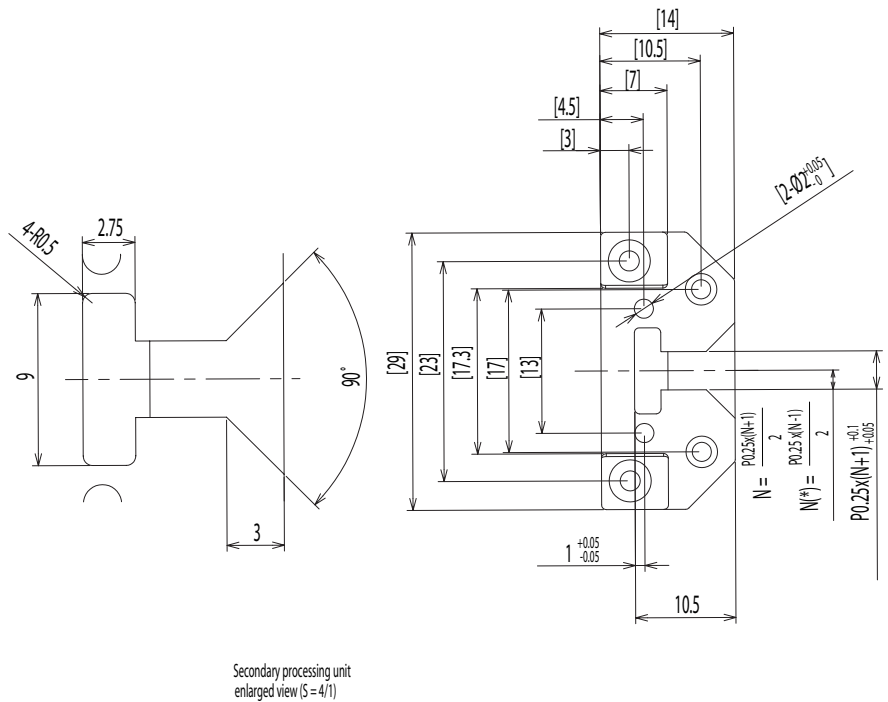


0.25mm pitch

Pin Assignment **

37 Pin Connector Pin Number	Interposer Pin Number								
	15	17	19	21	23	25	27	29	31
1		*							
2									
3									1
4									2
5								1	1
6								2	2
7								3	3
8								4	4
9								5	5
10			1	1	3	3	5	5	7
11			2	2	4	4	6	6	8
12			3	3	5	5	7	7	9
13			4	4	6	6	8	8	10
14			5	5	7	7	9	9	11
15	1	1	3	3	5	5	7	7	9
16	2	2	4	4	6	6	8	8	10
17	3	3	5	5	7	7	9	9	11
18	4	4	6	6	8	8	10	10	12
19	5	5	7	7	9	9	11	11	13
20	6	6	8	8	10	10	12	12	14
21	7	7	9	9	11	11	13	13	15
22	8	8	10	10	12	12	14	14	16
23	9	9	11	11	13	13	15	15	17
24	10	10	12	12	14	14	16	16	18
25	11	11	13	13	15	15	17	17	19
26	12	12	14	14	16	16	18	18	20
27	13	13	15	15	17	17	19	19	21
28	14	14	16	16	18	18	20	20	22
29	15	15	17	17	19	19	21	21	23
30	16	16	18	18	20	20	22	22	24
31	17	17	19	19	21	21	23	23	25
32									
33									
34									
35									
36									
37									

Standard Guide Parts



**** Ordering Code: FC25□□AB00**

□□ = number of contacts