

FC50xxAB00

Features

- Pitch: 0.5mm
- Body Width: 29mm
- Pin Number: 7~15
- Connection: FFC
- Reliability: 500K Ops

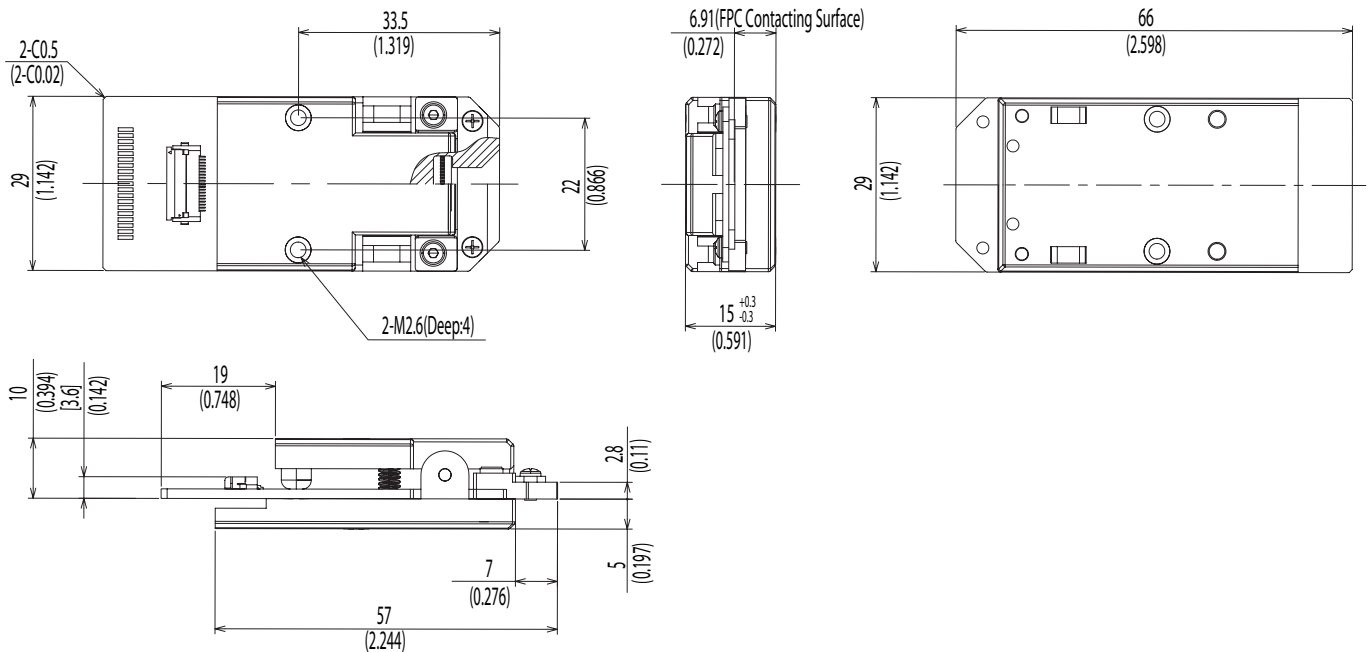


Electrical Specifications

Test Parameters	Test Conditions	Min	Nom	Max	Units
Carry Current	@ 30°C			0.5	A
	@ 60°C			-	A
Voltage Rating	DC/Peak AC Resist			50	V
Contact Resistance	@1mA 20°C 65%RH Nominal load			300	mΩ
Insulation Resistance	@250V 20°C 65%RH	10 ⁸			Ω
Dielectric Strength (Static)	AC for 1min. (Leakage current: 0.5mA max.)	250			V

Notes: Operating Condition 0 to 60°C, 25 to 65%RH

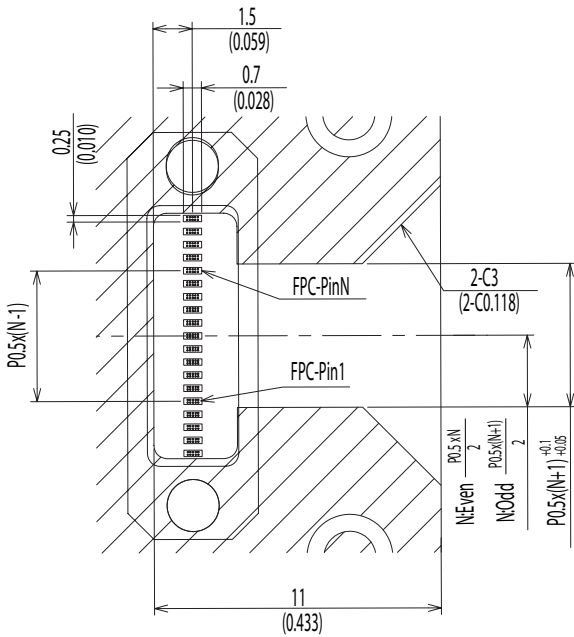
Dimensions All Dimensions are mm (inch)



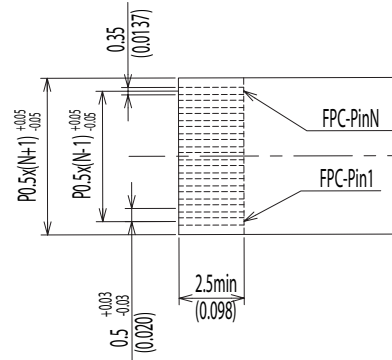
0.5mm pitch

Dimensions All Dimensions are mm (inch)

Guide Part Expansion



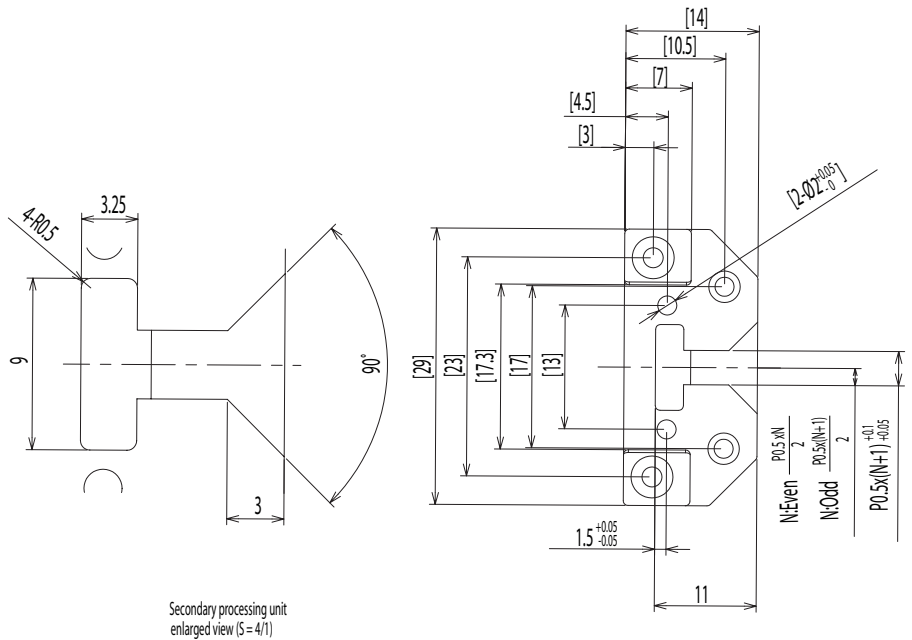
Cable
Pad is back side



Pin Assignment **

19 Pin Connector Pin Name	Interposer Pin Number														
	7	8	9	10	11	12	13	14	15	16	17	18	19	20	21
1															
2															
3															1
4															1
5															2
6															2
7															3
8															3
9															4
10															4
11															5
12															5
13															6
14															6
15															7
16															7
17															8
18															8
19															9
															9
															10
															10
															11
															11
															12
															12
															13
															13
															14
															14
															15
															15

Standard Guide Parts



0.5mm pitch

Secondary processing unit enlarged view (S=4/1)

**** Ordering Code: FC50 □□AB00**
□□=number of contacts