



FF30xxxA00

Features

- Pitch: 0.3mm
- Body Width: 14mm
- Pin Number: 11~27
- Connection: FRC
- Reliability: 500K Ops



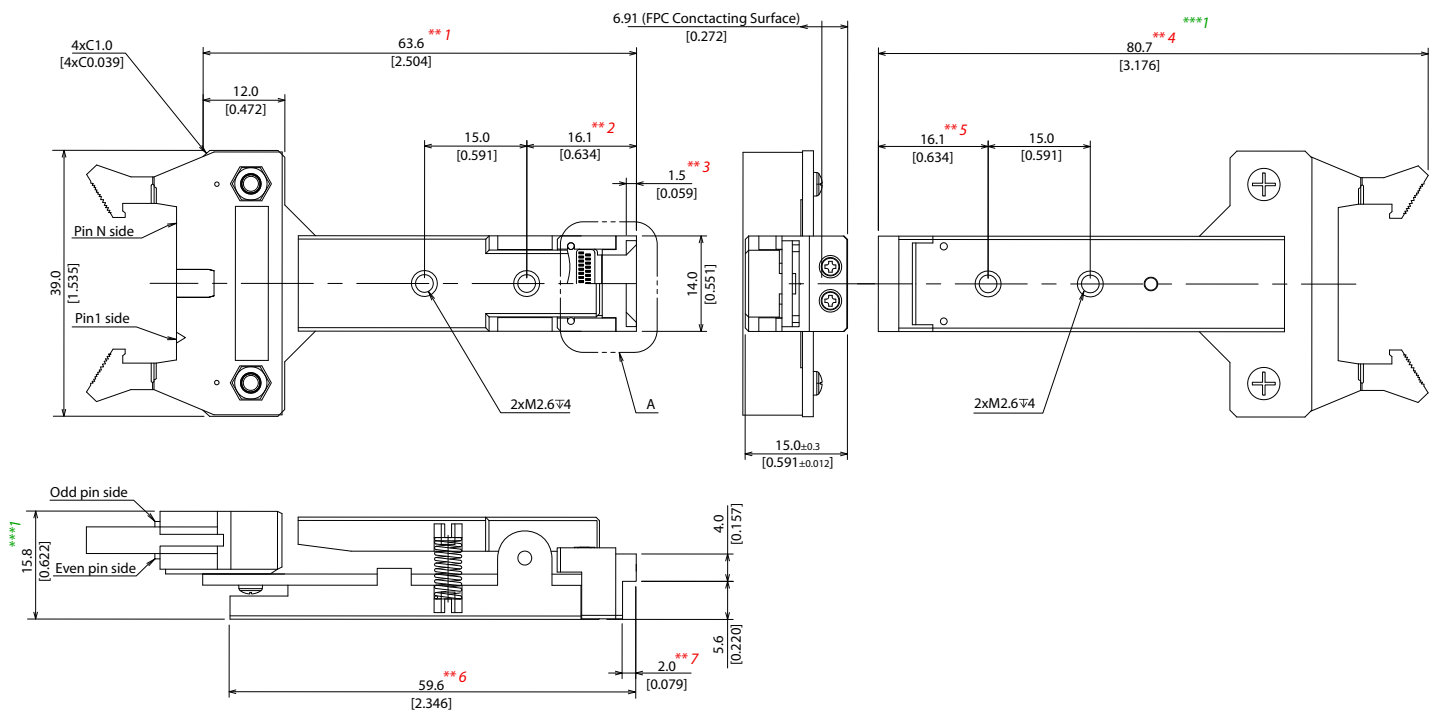
Electrical Specifications

Test Parameters		Test Conditions	Min	Nom	Max	Units
Carry Current	@ 30°C	DC/Peak AC Resist			0.5	A
	@ 60°C	DC/Peak AC Resist			-	A
Voltage Rating		DC/Peak AC Resist			50	V
Contact Resistance		@1mA 20°C 65%RH Nominal Load			300	mΩ
Insulation Resistance		@150V 20°C 65%RH	10 ⁸			Ω
Dielectric Strength (Static)		AC for 1 min. (Leakage current: 0.5mA max.)	150			V

Notes: Operating Condition 0 to 60°C, 25 to 65%RH

Dimensions All Dimensions are mm [inch]

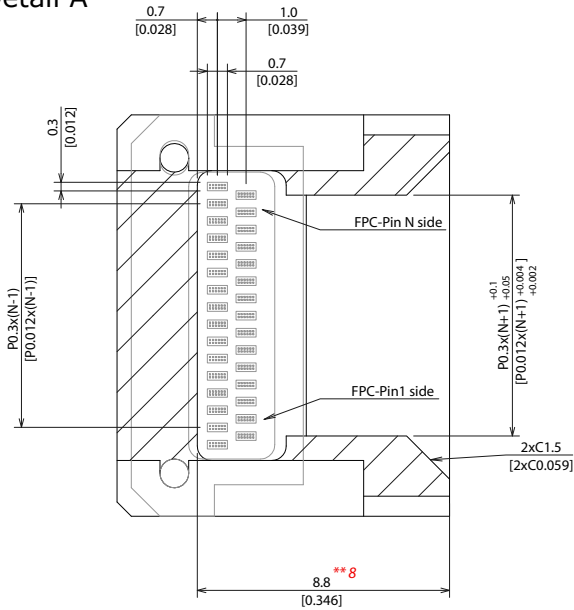
0.3mm pitch



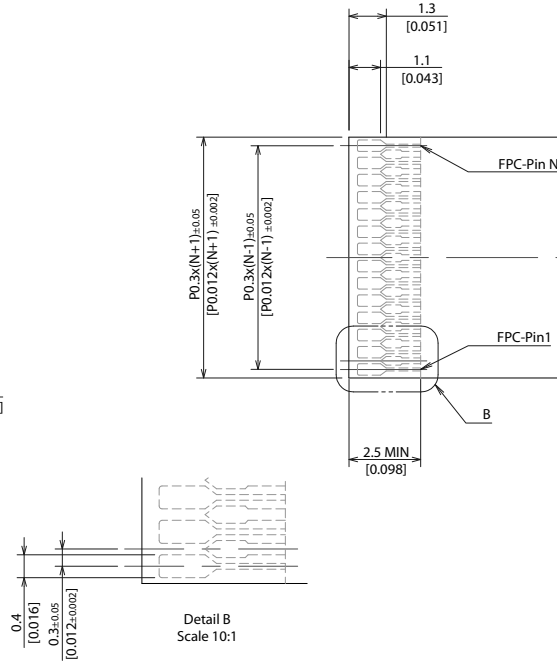
***1) Reference value

Dimensions All Dimensions are mm [inch]

**Guide Part Expansion
Detail A**



**Cable
Pad is Back Side**



0.3mm pitch

Pin Assignment *

32Pin Connector Pin Number	Interposer Pin Number								
	11	13	15	17	19	21	23	25	27
1									
2									
3									1
4									2
5							1	1	3
6							2	2	4
7					1	1	3	3	5
8					2	2	4	4	6
9			1	1	3	3	5	5	7
10			2	2	4	4	6	6	8
11	1	1	3	3	5	5	7	7	9
12	2	2	4	4	6	6	8	8	10
13	3	3	5	5	7	7	9	9	11
14	4	4	6	6	8	8	10	10	12
15	5	5	7	7	9	9	11	11	13
16	6	6	8	8	10	10	12	12	14
17	7	7	9	9	11	11	13	13	15
18	8	8	10	10	12	12	14	14	16
19	9	9	11	11	13	13	15	15	17
20	10	10	12	12	14	14	16	16	18
21	11	11	13	13	15	15	17	17	19
22		12	14	14	16	16	18	18	20
23		13	15	15	17	17	19	19	21
24				16	18	18	20	20	22
25				17	19	19	21	21	23
26						20	22	22	24
27						21	23	23	25
28								24	26
29								25	27
30									
31									
32									

Options

** LONG GUIDE

Dimensions with ** X will be different for the long guide. Please check on the dimensions for the long guide below.

**Standard vs. Long Guide Dimensions
(FF30xxAA00 vs FF30xxFA00)**

Dimension Name	Standard (shown) Guide Dimension	Long (FA00) Guide Dimension
**1	63.6 [2.504]	65.6 [2.583]
**2	16.1 [0.634]	18.1 [0.713]
**3	1.5 [0.059]	3.5 [0.138]
**4	80.7 [3.177]	82.7 [3.256]
**5	16.1 [0.634]	18.1 [0.713]
**6	59.6 [2.346]	61.6 [2.425]
**7	2.0 [0.079]	4.0 [0.157]
**8	8.8 [0.347]	10.8 [0.425]

REVERSE GUIDE / LONG-REVERSE GUIDE

Reverse guide (the guide placed upside down) is also available. If you are interested in this, please contact our sales representative.

*** Ordering Code: FF30□□□□□□□□A00**

□□□□□□□□□□ = number of contacts

□□□□□□□□□□ = A (Standard guide), B (Standard reverse guide), F (Long guide), G (Long reverse guide)