



# CP-075

## Features

- Impedance: 50 Ω
- Broadband frequency: DC to 20 GHz

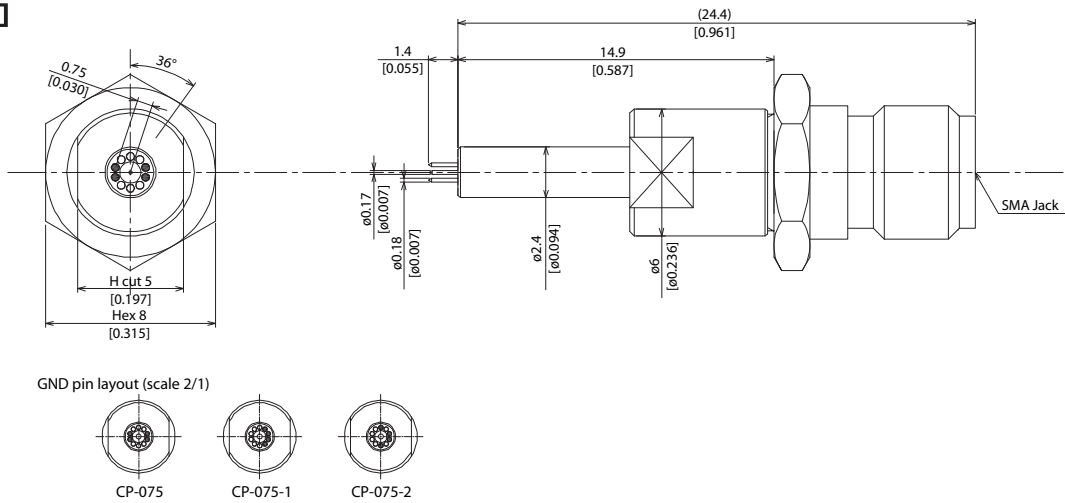


## Electrical Specifications

Parameter	Unit	Min	Typ	Max	Note
Frequency range	GHz	20			
Insertion loss	dB			1	
Return loss	dB			10	
DC resistance	Ω		1		
DC current	A			1.5	@ 25°C

## Dimensions

mm [inch]



## S-parameter

